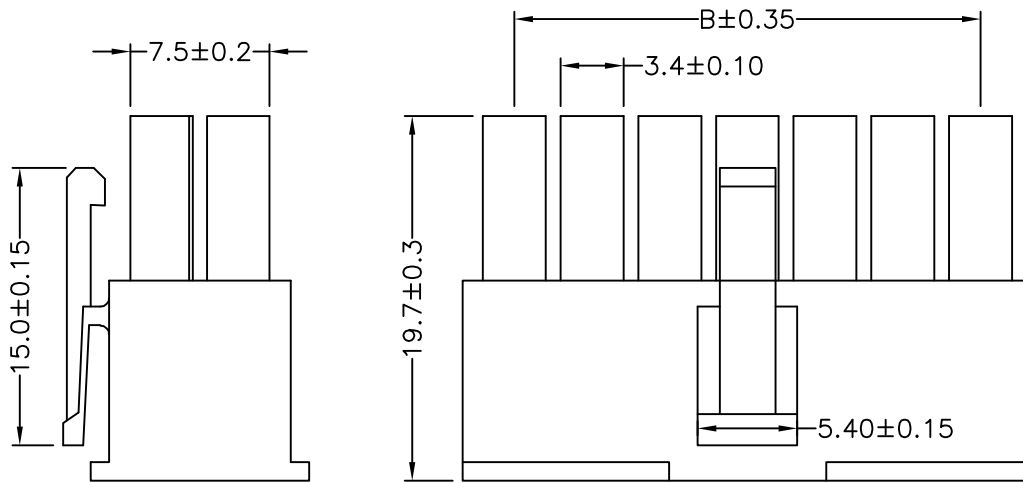
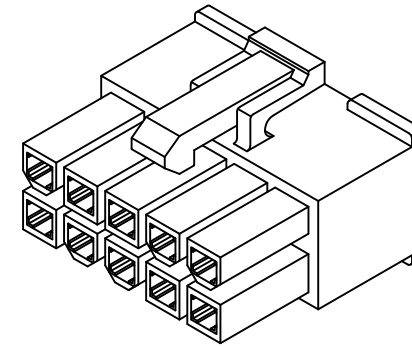
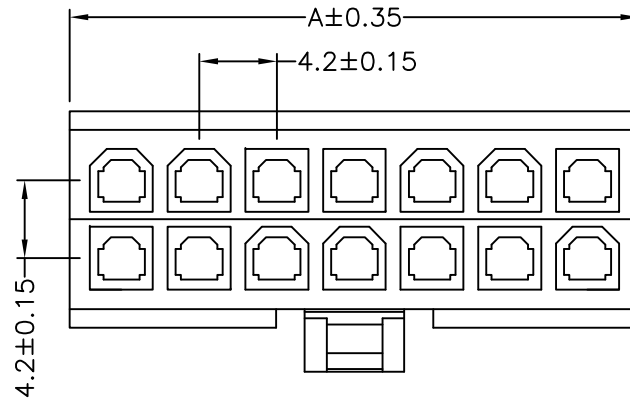


RoHS

SPECIFICATIONS

Current Rating: 7A AC,DC  
 Voltage Rating: 600V AC,DC  
 Temperature Range: -25°C ~ +85°C  
 Contact Resistance: 20mΩ Max.  
 Insulation Resistance: 1000MΩ Min.  
 Withstanding Voltage: 1500V AC/minute  
 Material: Nylon 66,UL94V-2 or UL94V-0



Circuits	Dimensions	
	A	B
2X01	5.40	--
2X02	9.60	4.20
2X03	13.80	8.40
2X04	18.00	12.60
2X05	22.20	16.80
2X06	26.40	21.00
2X07	30.60	25.20
2X08	34.80	29.40
2X09	39.00	33.60
2X10	43.20	37.80
2X11	47.40	42.00
2X12	51.60	46.20

REVISION RECORD

REV.	DATE	DESCRIPTION	CHANGE	APPROVE
A	2012-8-10	New Model	BO	ZHU

TOLERANCE

$.0 \pm 0.30$   
 $0.00 \pm 0.25$   
 $0.000 \pm 0.20$

DRAW

DESIGN  
 CHECK  
 APPROVE  
 VERSION

邓彬

邓彬

邓彬

ZL1

SCALE

1:1  
 UNIT  
 SIZE  
 SHEET  
 PROJ.

1:1

mm  
 A4  
 1/1



耀聯電子科技有限公司  
 UNC Electronic & Technology Co., Ltd

PART NO.  
 DESCRITON  
 DRAWING NO.

C4202H0x-2XNP-N  
 4.20mm PITCH  
 HOUSING-RECEPTACLE,  
 MINI-FIT

TEL:0769-87299998 FAX:0769-87299968 E-Mail:uniconn@163.com WEB:http://www.uniconn.cn