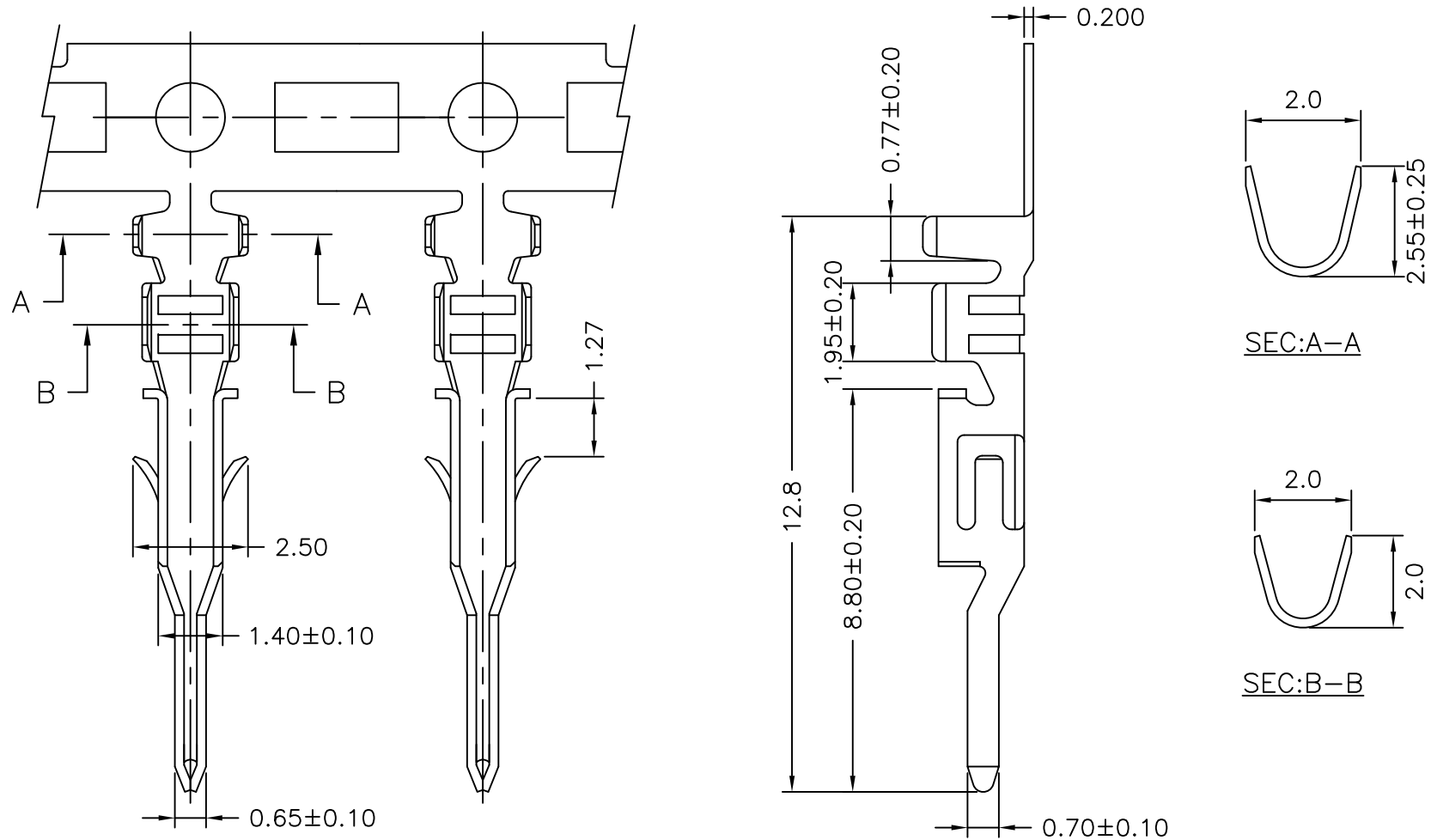


RoHS



Part No.	Wire Range	Insulation O.D.	Material	Finish	Q'ty/Reel
C3031TOP-2	AWG 20#-24#	1.85mm(Max)	Phos.Bronze	Tin-Plated	10,000

Note: e-Stamping before Tin-plated or Gold-flash

REVISION RECORD				
REV.	DATE	DESCRIPTION	CHANGE	APPROVE

TOLERANCE	DRAW	SCALE	1:1
.0±0.25	DESIGN	UNIT	mm
0.00±0.15	CHECK	SIZE	A4
0.000±0.10	APPROVE	SHEET	1/1
	VERSION	PROJ.	

UNC 耀聯電子科技有限公司
UNC Electronic & Technology Co., Ltd

PART NO.	C3031TOP-2
DESCRITON	3.00mm PITCH CRIMP TERMINAL-MALE, MICRO-FIT
DRAWING NO.	

TEL:0769-87299998 FAX:0769-87299968 E-Mail:uniconn@163.com WEB:http://www.uniconn.cn