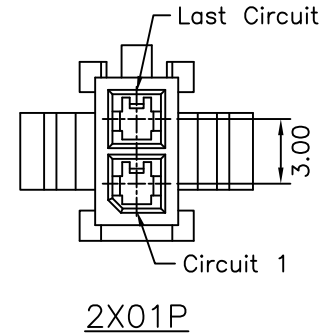
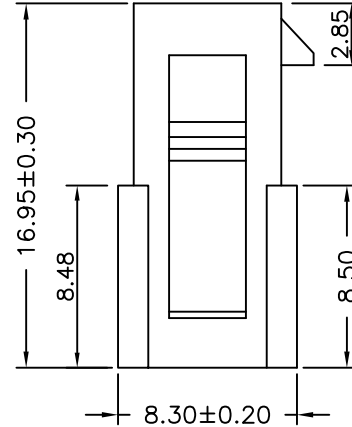
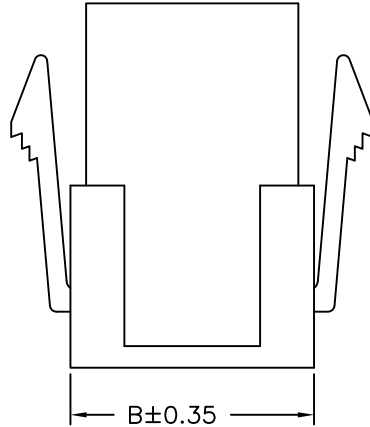
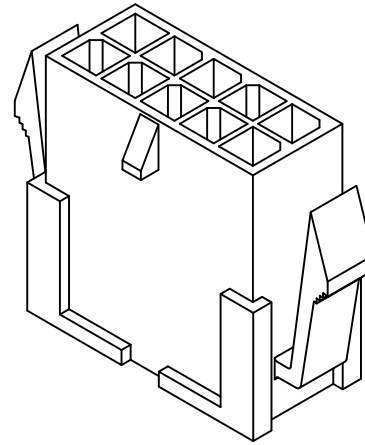
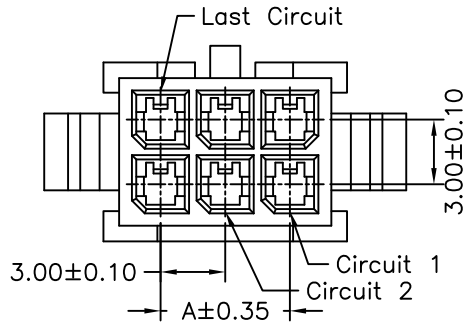


RoHS

SPECIFICATIONS

Current Rating: 5A AC,DC
 Voltage Rating: 250V AC,DC
 Temperature Range: -25°C ~ +85°C
 Contact Resistance: 10mΩ Max.
 Insulation Resistance: 1000MΩ Min.
 Withstanding Voltage: 1500V AC/minute
 Material: Nylon66 UL 94-V2



Circuits	Dimensions	
	A	B
2X01	--	5.40
2X02	3.00	8.40
2X03	6.00	11.40
2X04	9.00	14.40
2X05	12.00	17.40
2X06	15.00	20.40
2X07	18.00	23.40
2X08	21.00	26.40
2X09	24.00	29.40
2X10	27.00	32.40
2X11	30.00	35.40
2X12	33.00	38.40

REVISION RECORD

REV.	DATE	DESCRIPTION	CHANGE	APPROVE

TOLERANCE

.0±0.30
 0.00±0.20
 0.000±0.10

DRAW

DESIGN
 CHECK
 APPROVE
 VERSION

邓伟

邓伟

邓伟

ZL1

SCALE

1:1
 UNIT
 SIZE
 SHEET
 PROJ.

1:1

mm
 A4
 1/1



耀聯電子科技有限公司
 UNC Electronic & Technology Co., Ltd

PART NO.

C3031H02-2xNP

DESCRITON
 DRAWING NO.

3.00mm PITCH
 HOUSING-PLUG,
 MICRO-FIT