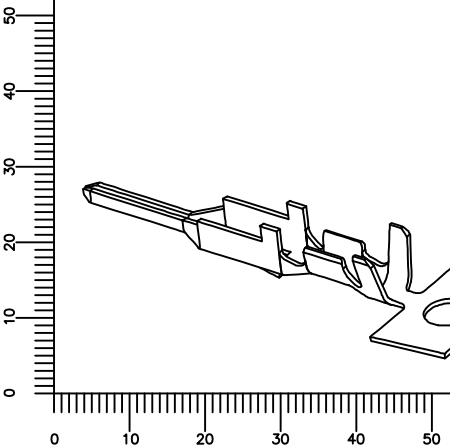
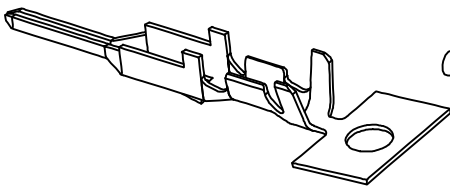
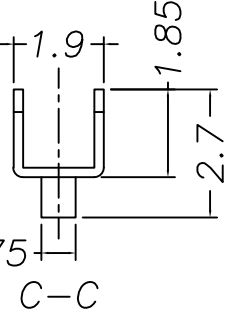
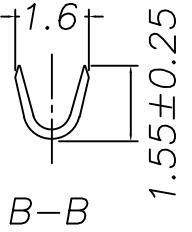
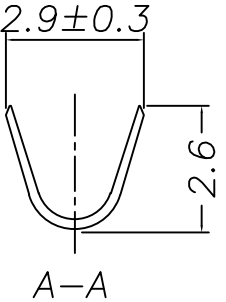
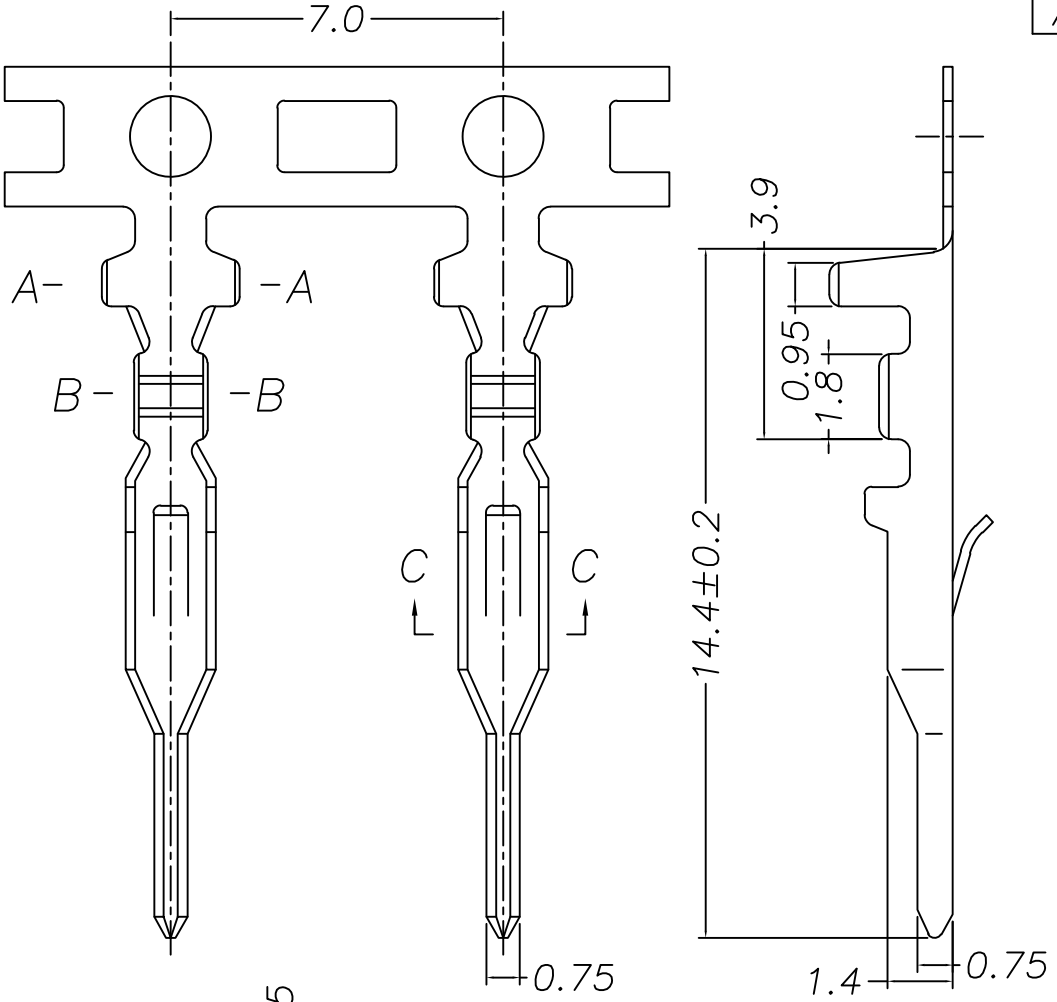

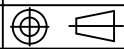


REV.	ECN NO. OR DESCRIPTION	REVISED	DATE
A1			2020-10-20



C2531TOP-2		AWG 22#~28#	1.63mm(max)	Phos.Bronze	Tin-Plated	11,000	
PART NO.		WIRE	O.D.(MAX)	MATERIAL	FINISH	Q'TY/REEL	
TOLERANCE	DRAW	BO	SCALE	1:10	 耀聯電子科技有限公司 UNC Electronic & Technology Co., Ltd		
	DESIGN	MA	UNIT	mm			
	X :±0.3	CHECK	LIAN	SIZE	A4	PART NO.	C2531TOP-2
	X.X :±0.25	APPROVE	LIAN	SHEET	1of1	DESCRIPTION	SMH250-TER
X.XX :±0.15	VERSION	J1	PROJ.				
X.XXX :±0.10		TEL:+86-769-87299998		WEB:http://www.uniconn.cn		MAIL:uniconn@163.com	

Non-use Warranty for Level 1 Prohibited Substances In Product.