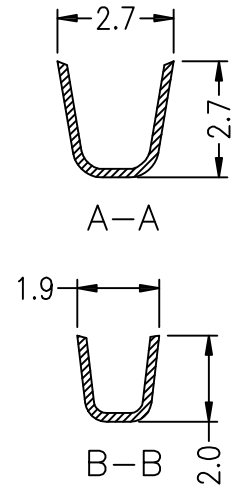
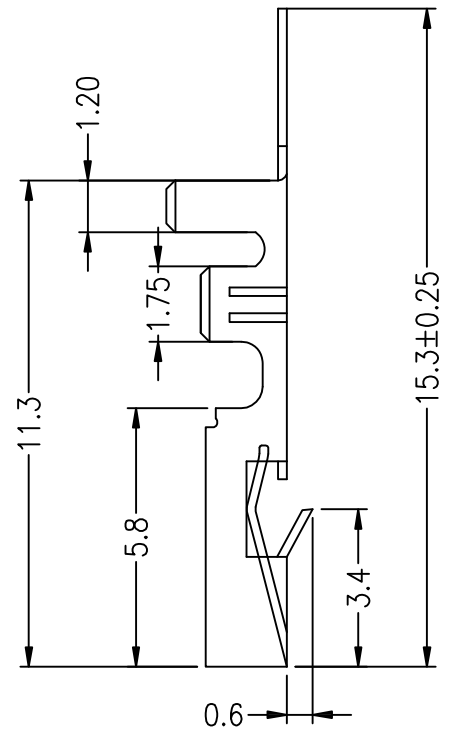
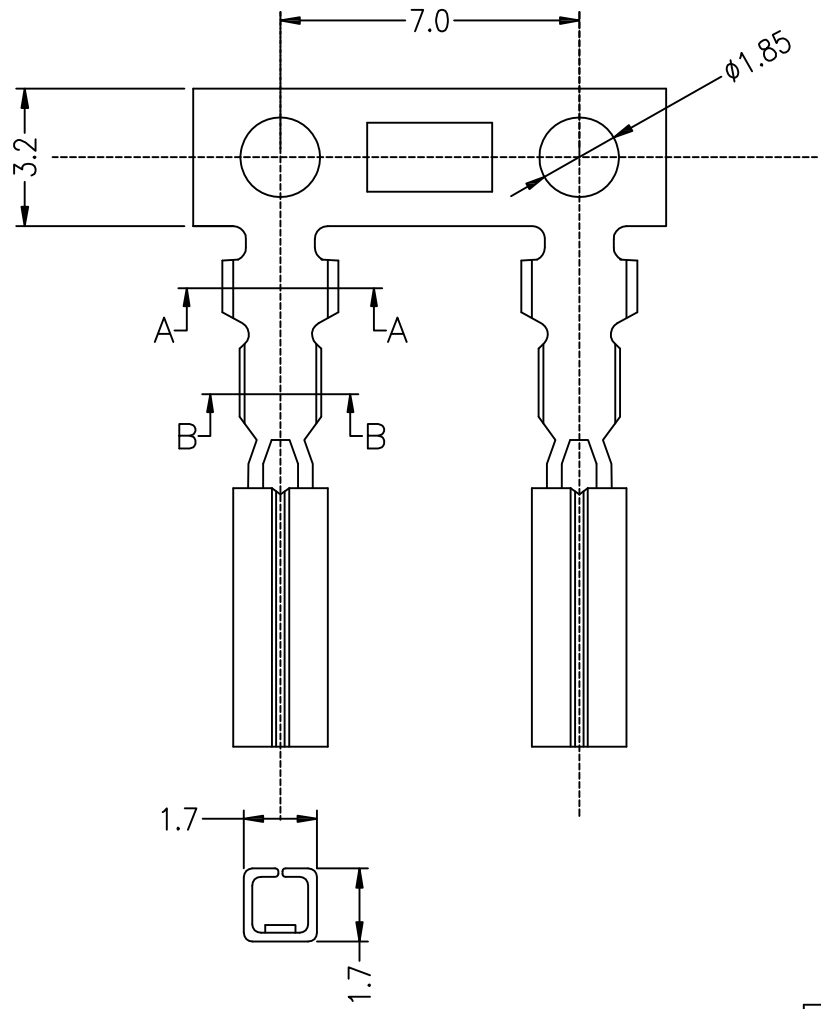


RoHS



| | | | | | |
|------------|-------------|-----------------|----------|------------|-----------|
| Part No. | Wire Range | Insulation O.D. | Material | Finish | Q'ty/Reel |
| C2510TOB-2 | AWG #22~#28 | 1.90mm(Max) | Brass | Tin-Plated | 5,000 |

Note: e-Stamping before Tin-plated or Gold-flash

| REVISION RECORD | | | | |
|-----------------|------|-------------|--------|---------|
| REV. | DATE | DESCRIPTION | CHANGE | APPROVE |
| | | | | |
| | | | | |
| | | | | |

| | | | | | |
|-----------|------------|---------|-----|-------|-----|
| TOLERANCE | .0±0.25 | DRAW | 旭德 | SCALE | 1:1 |
| | 0.00±0.15 | DESIGN | 旭德 | UNIT | mm |
| | 0.000±0.10 | CHECK | 魏奇春 | SIZE | A4 |
| | | APPROVE | 魏奇春 | SHEET | 1/1 |
| | | VERSION | JD1 | PROJ. | |

UNC 耀聯電子科技有限公司
UNC Electronic & Technology Co., Ltd

| | |
|-------------|------------------------------------|
| PART NO. | C2510TOB-2 |
| DESCRIPTION | 2.50mm PITCH CRIMP TERMINAL-FEMALE |
| DRAWING NO. | |