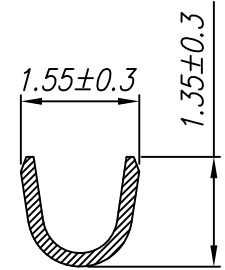
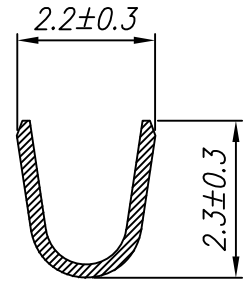
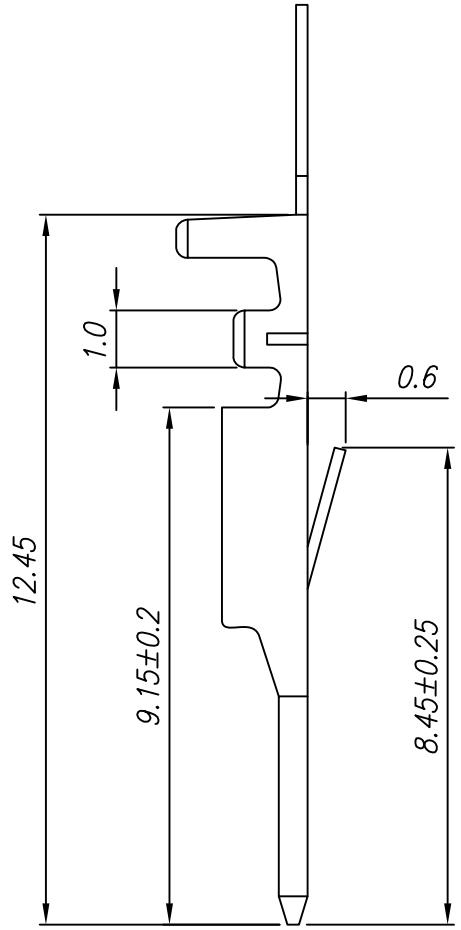
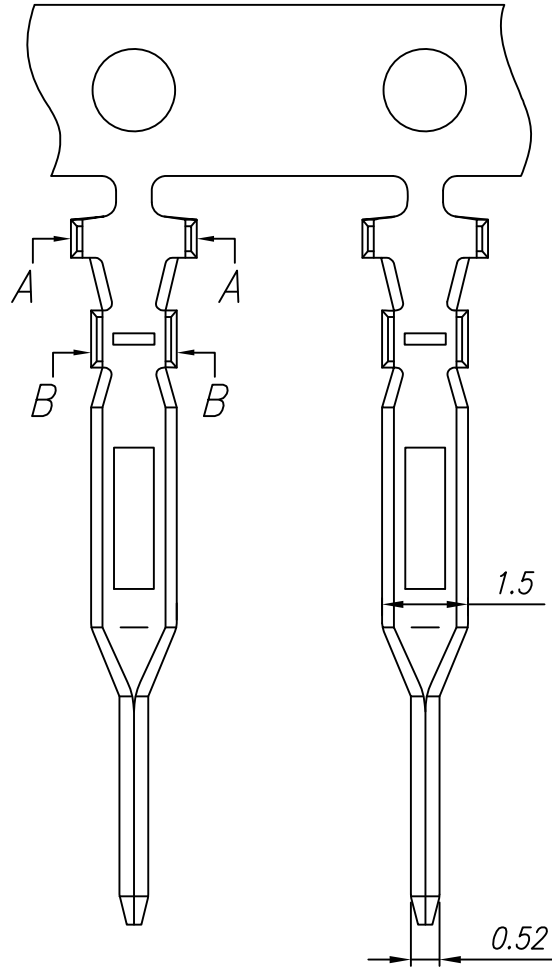

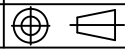


REV.	ECN NO. OR DESCRIPTION	REVISED	DATE
A1			2020-10-20



C2031TOP-2		AWG 24#~30#	1.45mm(max)	Phos.Bronze	Tin-Plated	10,000
PART NO.		WIRE	O.D.(MAX)	MATERIAL	FINISH	Q'TY/REEL
TOLERANCE	DRAW	BO	SCALE	1:10	 耀聯電子科技有限公司 UNC Electronic & Technology Co., Ltd	
	DESIGN	MA	UNIT	mm		
X	:±0.3	CHECK	LIAN	SIZE	A4	PART NO. C2031TOP-2
X.X	:±0.25	APPROVE	LIAN	SHEET	1of1	DESCRIPTION SMH200-TER
X.XX	:±0.15	VERSION	JD	PROJ.		
TEL:+86-769-87299998			WEB:http://www.uniconn.cn		MAIL:uniconn@163.com	

Non-use Warranty for Level 1 Prohibited Substances In Product.

