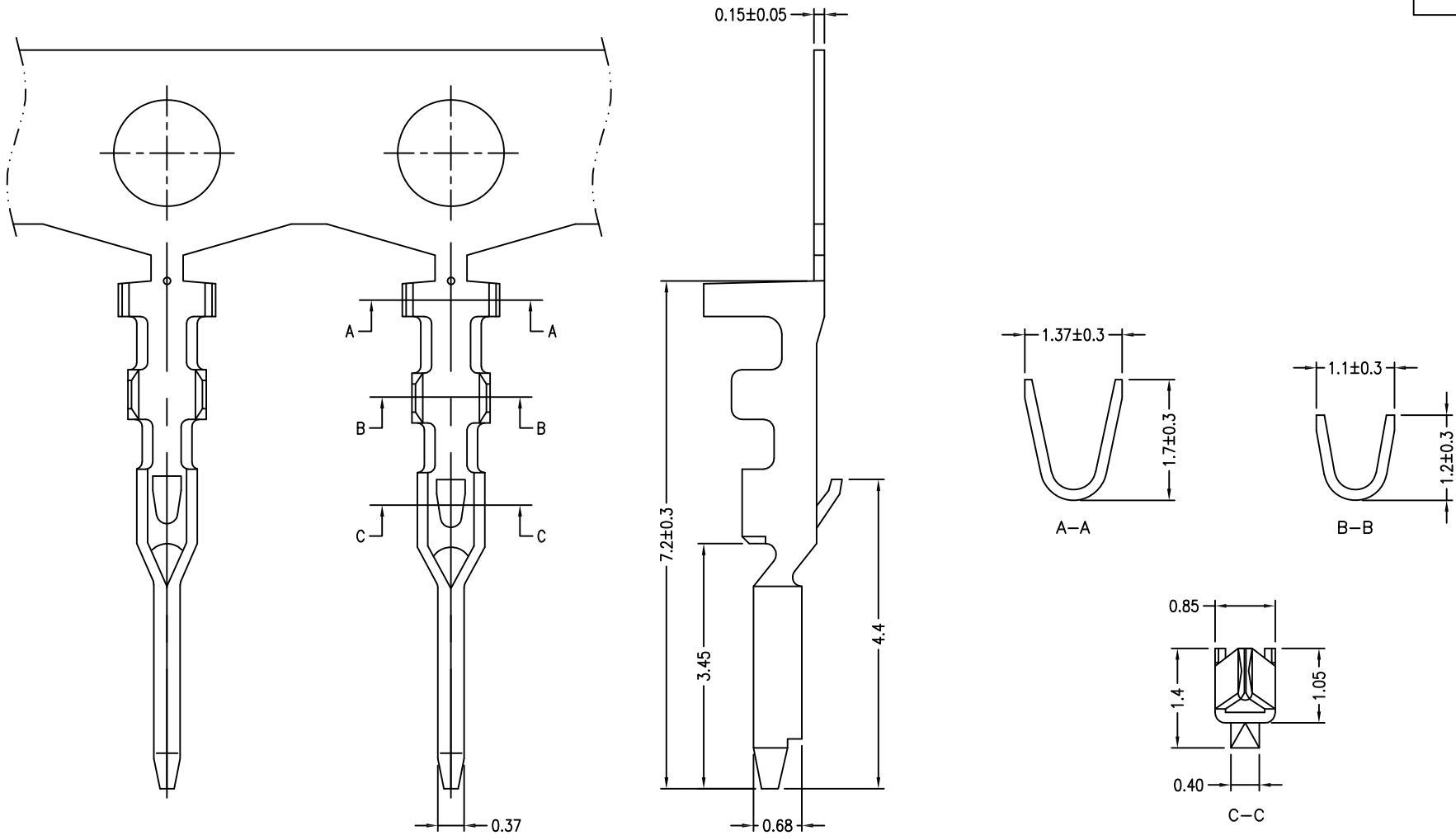


RoHS



Part No.	Wire Range	Insulation O.D.	Material	Finish	Q'ty/Reel
C1251TOP-2	AWG #28~#32	1.00mm(Max)	Phosphor Bronze	Tin-Plated	15,000

Note: e-Stamping before Tin-plated or Gold-flash

REVISION RECORD				
REV.	DATE	DESCRIPTION	CHANGE	APPROVE

TOLERANCE	DRAW	地德	SCALE	1:1
.0±0.25	DESIGN	地德	UNIT	mm
0.00±0.15	CHECK	吳奇春	SIZE	A4
0.000±0.10	APPROVE	吳奇春	SHEET	1/1
	VERSION	JD1	PROJ.	

UNC 耀聯電子科技有限公司
 UNC Electronic & Technology Co., Ltd

PART NO.	C1251TOP-2
DESCRIPTION	1.25mm PITCH WIRE TO WIRE CRIMP TERMINAL
DRAWING NO.	