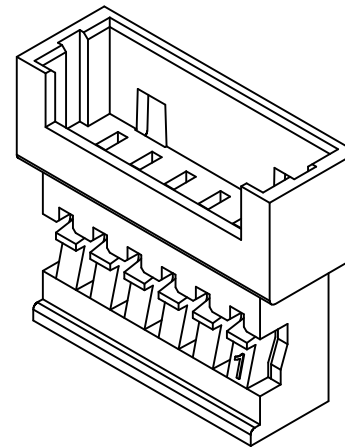
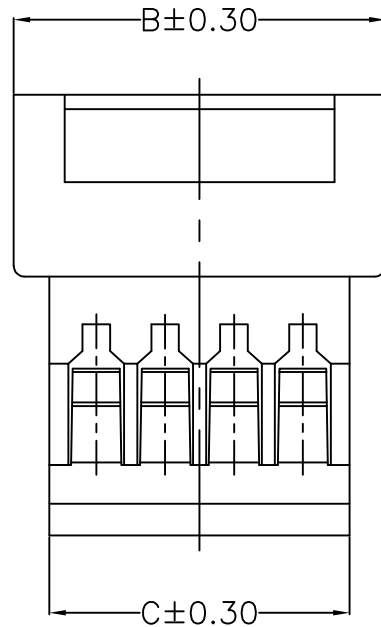
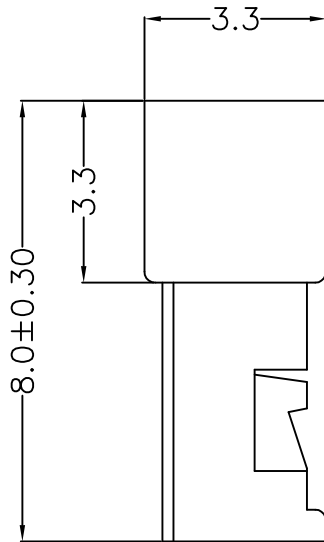
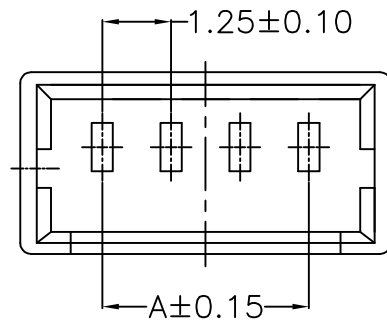


RoHS

SPECIFICATIONS

Current Rating: 1A AC,DC  
 Voltage Rating: 125V AC,DC  
 Temperature Range: -25°C ~ +85°C  
 Contact Resistance: 10mΩ Max.  
 Insulation Resistance: 100MΩ Min.  
 Withstanding Voltage: 500V AC/minute  
 Material: Nylon 66,UL94V-0  
 Color: White  
 Q'ty: 1000/Bag



Circuits	Dimensions		
	A	B	C
2	1.25	4.25	2.95
3	2.50	5.50	4.20
4	3.75	6.75	5.45
5	5.00	8.00	6.70
6	6.25	9.25	7.95
7	7.50	10.50	9.20
8	8.75	11.75	10.45
9	10.00	13.00	11.70
10	11.25	14.25	12.95
11	12.50	15.50	14.20
12	13.75	16.75	15.45
13	15.00	18.00	16.70
14	16.25	19.25	17.95
15	17.50	20.50	19.20
16	18.75	21.75	20.45

REVISION RECORD

REV.	DATE	DESCRIPTION	CHANGE	APPROVE

TOLERANCE

.0±0.25  
 0.00±0.15  
 0.000±0.10

DRAW

DESIGN

CHECK

APPROVE

VERSION

邓楠

邓楠

邓楠

邓楠

JD1

SCALE

UNIT

SIZE

SHEET

PROJ.

1:1

mm

A4

1/1

⌀



耀聯電子科技有限公司  
 UNC Electronic & Technology Co., Ltd

PART NO.

DESCRITON

DRAWING NO.

C1251H00-NP

1.25mm PITCH  
 WIRE TO WIRE  
 RECEPTACLE HOUSING