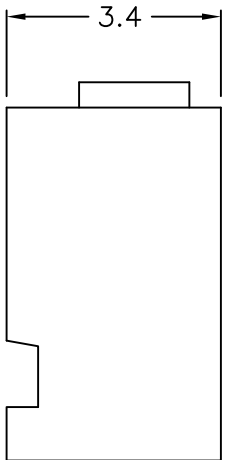
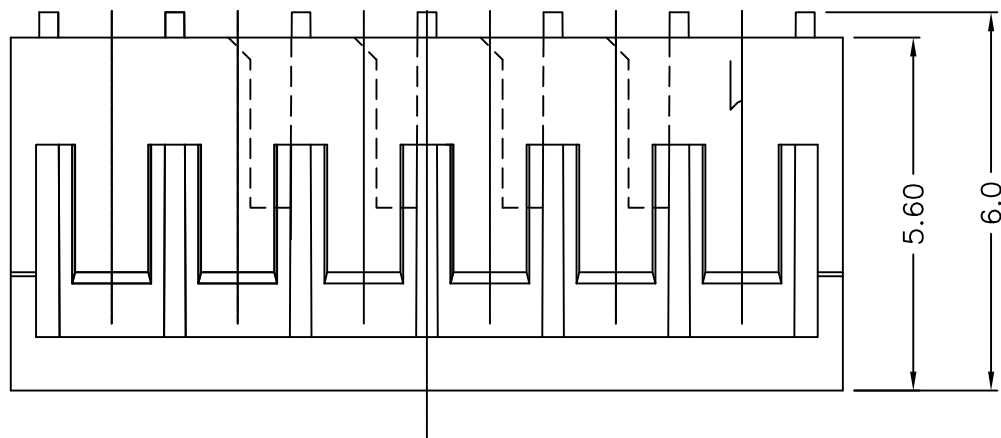
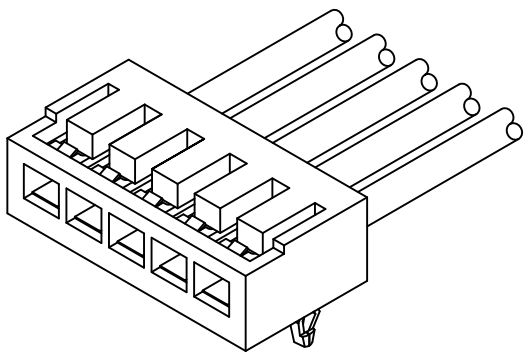


P.C.B LAYOUT

SPECIFICATIONS

Current Rating: 2A AC,DC
 Voltage Rating: 250V AC,DC
 Temperature Range: -25°C ~ +85°C
 Contact Resistance: 20mΩ Max.
 Insulation Resistance: 1000MΩ Min.
 Withstanding Voltage: 800V AC/minute
 Material: Nylon 66,UL94V-0
 Color: Natural(White)



Circuits	Dimensions	
	A	B
2	2.00	4.80
3	4.00	6.80
4	6.00	8.80
5	8.00	10.80
6	10.00	12.80
7	12.00	14.80
8	14.00	16.80
9	16.00	18.80
10	18.00	20.80
11	20.00	22.80
12	22.00	24.80
16	30.00	32.80

REVISION RECORD

REV.	DATE	DESCRIPTION	CHANGE	APPROVE

TOLERANCE
 .0±0.25
 0.00±0.20
 0.000±0.15

DRAW 旭德
 DESIGN 旭德
 CHECK 吳奇春
 APPROVE 吳奇春
 VERSION HY1

SCALE 1:1
 UNIT mm
 SIZE A4
 SHEET 1/1
 PROJ.



PART NO. B2011HR0-NP
 DESCRITON SAN2.0 90°Housing
 DRAWING NO. B2011.dwg