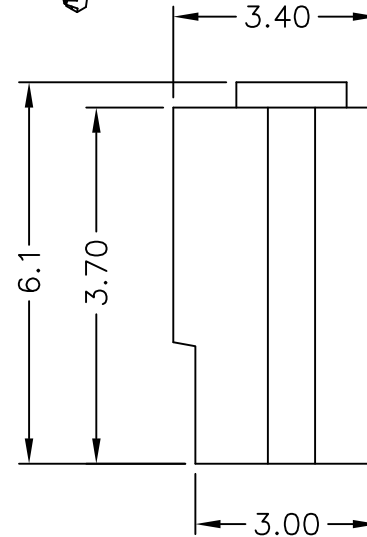
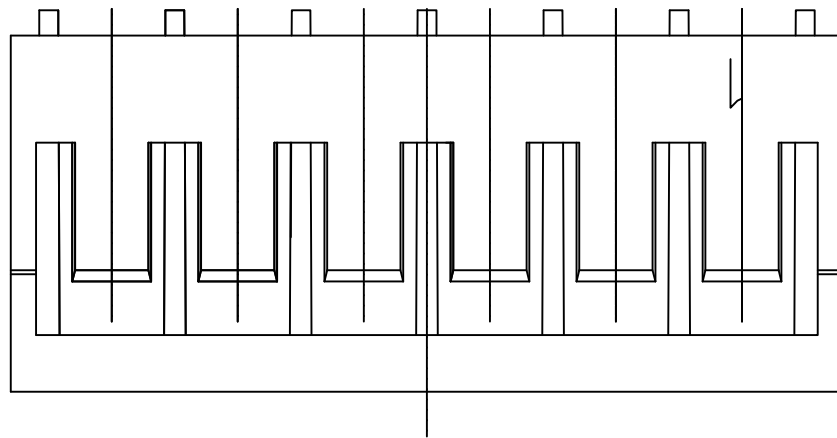
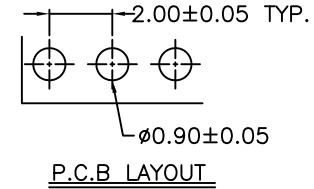
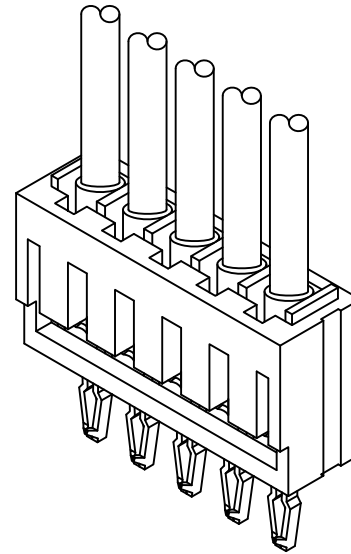
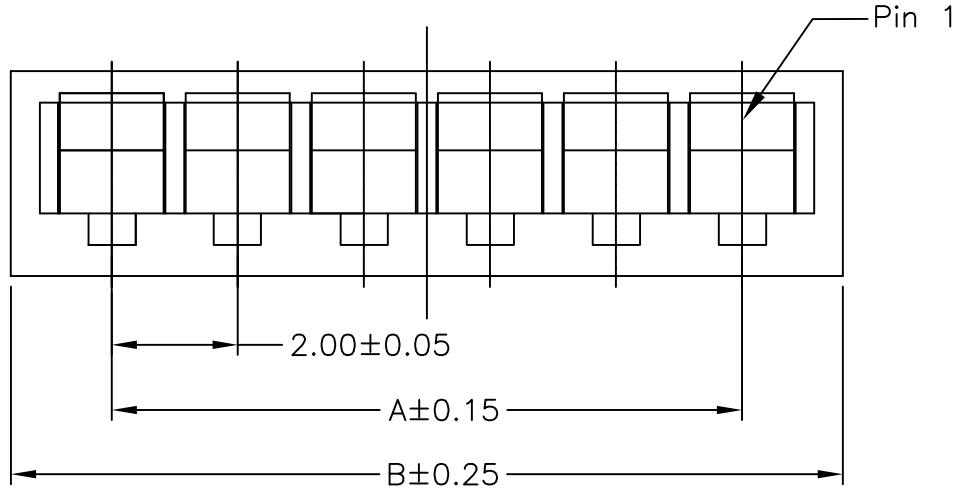


RoHS

SPECIFICATIONS

Current Rating: 2A AC,DC
 Voltage Rating: 250V AC,DC
 Temperature Range: -25°C ~ +85°C
 Contact Resistance: 20mΩ Max.
 Insulation Resistance: 100MΩ Min.
 Withstanding Voltage: 800V AC/minute
 Material: Nylon 66,UL94V-0
 Color: Natural(White)



Circuits	Dimensions	
	A	B
2	2.00	5.40
3	4.00	7.40
4	6.00	9.40
5	8.00	11.40
6	10.00	13.40
7	12.00	15.40
8	14.00	17.40
9	16.00	19.40
10	18.00	21.40
11	20.00	23.40
12	22.00	25.40
13	24.00	27.40
14	26.00	29.40
15	28.00	31.40
16	30.00	33.40
17	32.00	35.40
18	34.00	37.40
19	36.00	39.40
20	38.00	41.40

REVISION RECORD

REV.	DATE	DESCRIPTION	CHANGE	APPROVE

TOLERANCE

.0±0.25
 0.00±0.20
 0.000±0.15

DRAW

DESIGN
 CHECK
 APPROVE
 VERSION

邓伟

邓伟

邓伟

邓伟

HY1

SCALE

1:1
 UNIT
 SIZE
 SHEET
 PROJ.

1:1

mm

A4

1/1

PROJ.



耀聯電子科技有限公司
 UNC Electronic & Technology Co., Ltd

PART NO.

B2011H00-NP

DESCRITON

SAN2.0 180°Housing

DRAWING NO.

B2011.dwg

TEL:0769-87299998 FAX:0769-87299968 E-Mail:uniconn@163.com WEB:http://www.uniconn.cn