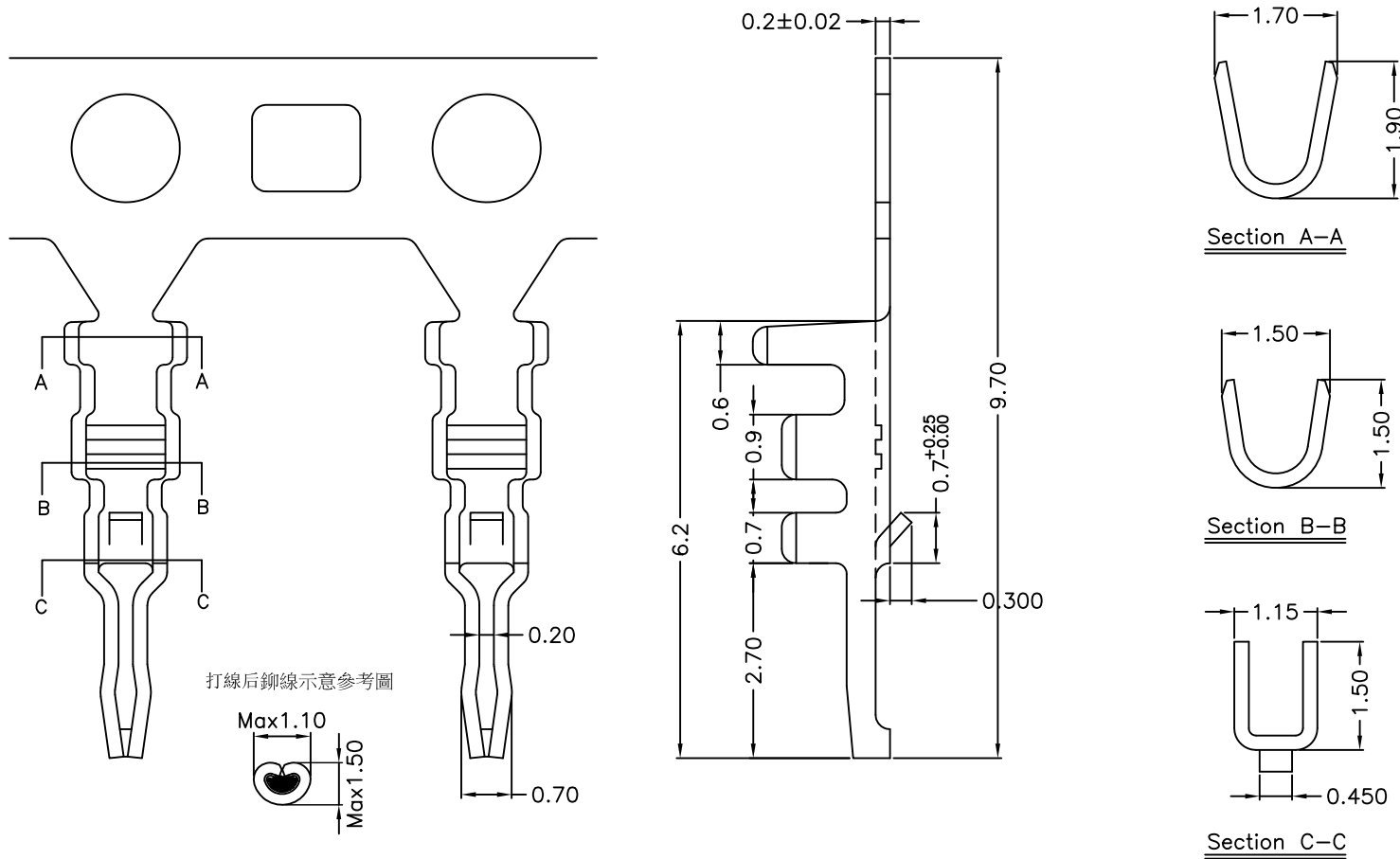


RoHS



Part No.	Wire Range	Insulation O.D.	Material	Finish	Q'ty/Reel
B1502TOP-2	AWG #28~30#	1.00mm(Max)	Phos.Bronze	Tin-Plated	10,000

Note: e-Stamping before Tin-plated or Gold-flash

REVISION RECORD					TOLERANCE	DRAW	SCALE	1:1	UNZ 耀聯電子科技有限公司 UNC Electronic & Technology Co., Ltd
REV.	DATE	DESCRIPTION	CHANGE	APPROVE					
					.0±0.25	DESIGN	UNIT	mm	PART NO. B1502TOP-2
					0.00±0.15	CHECK	SIZE	A4	DESCRITON SZN180° TERMINAL
					0.000±0.08	APPROVE	SHEET	1/1	DRAWING NO. B1502.dwg
						VERSION	PROJ.		

TEL:0769-87299998 FAX:0769-87299968 E-Mail:uniconn@163.com WEB:http://www.uniconn.cn