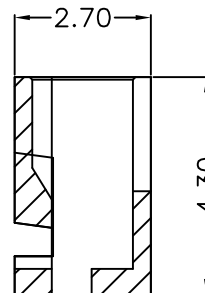
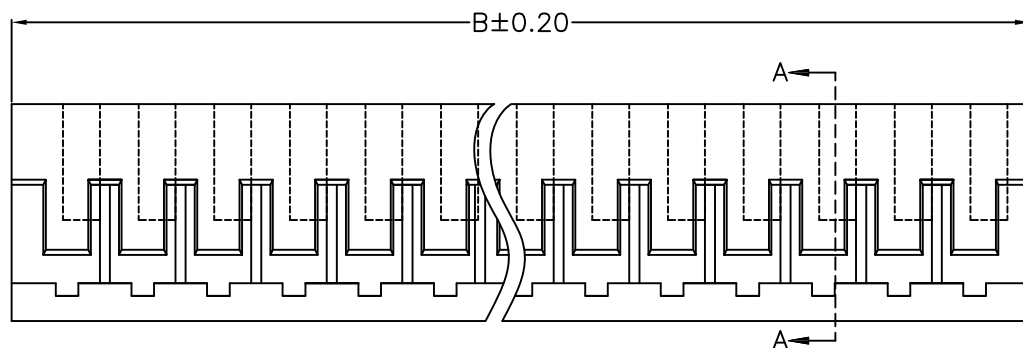
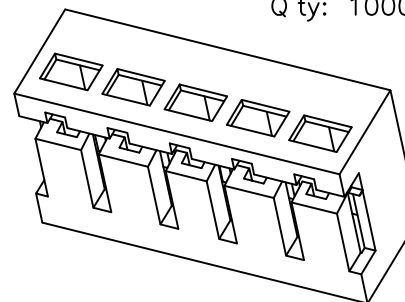
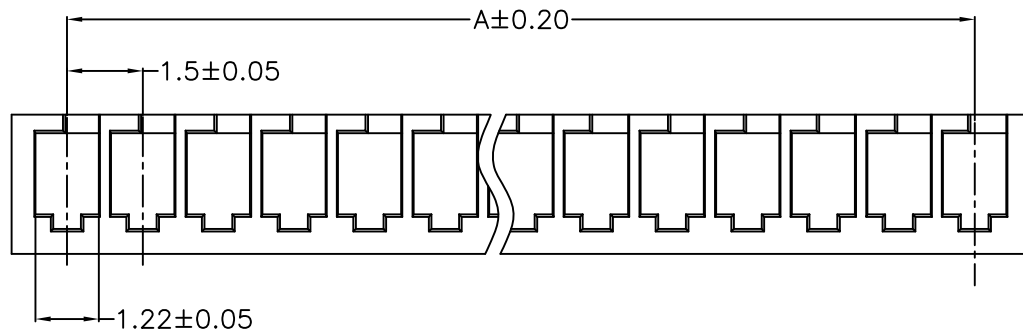


RoHS

SPECIFICATIONS

Current Rating: 1A AC,DC  
 Voltage Rating:200V AC,DC  
 Temperature Range: -25°C ~ +85°C  
 Contact Resistance: 20mΩ Max.  
 Insulation Resistance: 500MΩ Min.  
 Withstanding Voltage: 500V AC/minute  
 Material: Nylon 66,UL94V-0  
 Color: Natural(White)  
 Q'ty: 1000/Bag



Circuits	Dimensions		Circuits	Dimensions	
	A	B		A	B
2	1.50	3.70	17	24.00	26.20
3	3.00	5.20	18	25.50	27.70
4	4.50	6.70	19	27.00	29.20
5	6.00	8.20	20	28.50	30.70
6	7.50	9.70	21	30.00	32.20
7	9.00	11.20	22	31.50	33.70
8	10.50	12.70	23	33.00	35.20
9	12.00	14.20	24	34.50	36.70
10	13.50	15.70	25	36.00	38.20
11	15.00	17.20	26	37.50	39.70
12	16.50	18.70	27	39.00	41.20
13	18.00	20.20	28	40.50	42.70
14	19.50	21.70	29	42.00	44.20
15	21.00	23.20	30	43.50	45.70
16	22.50	24.70			

REVISION RECORD

REV.	DATE	DESCRIPTION	CHANGE	APPROVE

TOLERANCE

.0±0.25  
 0.00±0.15  
 0.000±0.08

DRAW

DESIGN  
 CHECK  
 APPROVE  
 VERSION

邓伟

邓伟

邓伟

邓伟

ZJT1

SCALE

UNIT  
 SIZE  
 SHEET  
 PROJ.

1:1

mm

A4

1/1

PROJ.



耀聯電子科技有限公司  
 UNC Electronic & Technology Co., Ltd

PART NO.

B1502H00-NP

DESCRITON

SZN1.5 180°/90° HSG

DRAWING NO.

B1502.dwg

TEL:0769-87299998 FAX:0769-87299968 E-Mail:uniconn@163.com WEB:http://www.uniconn.cn