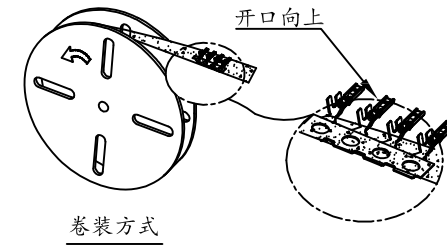
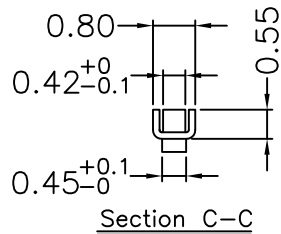
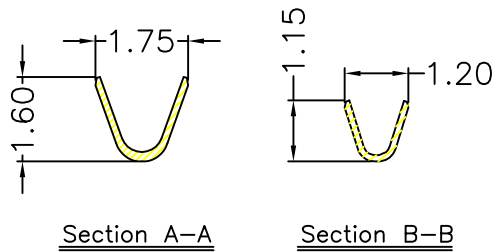
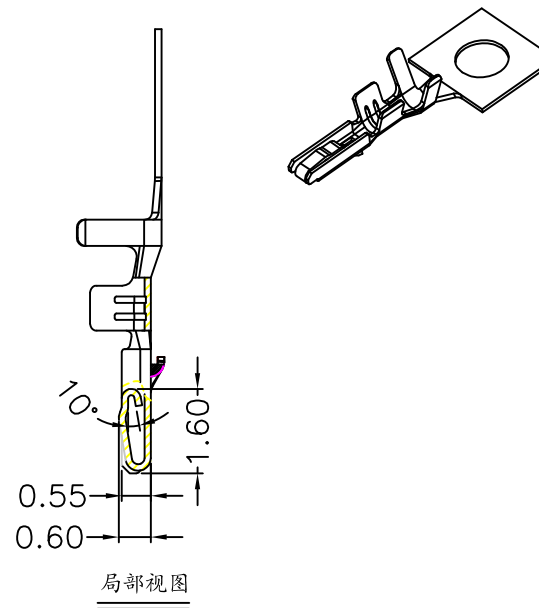
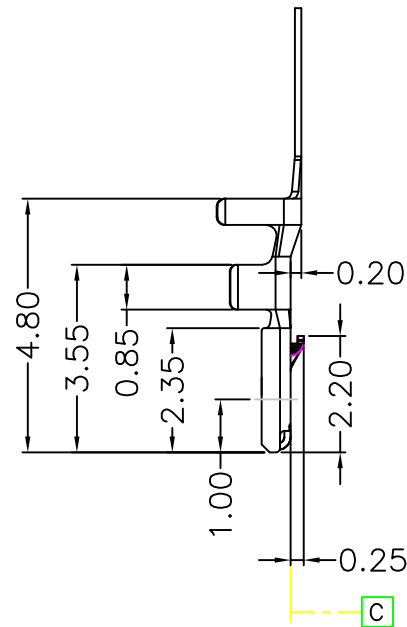
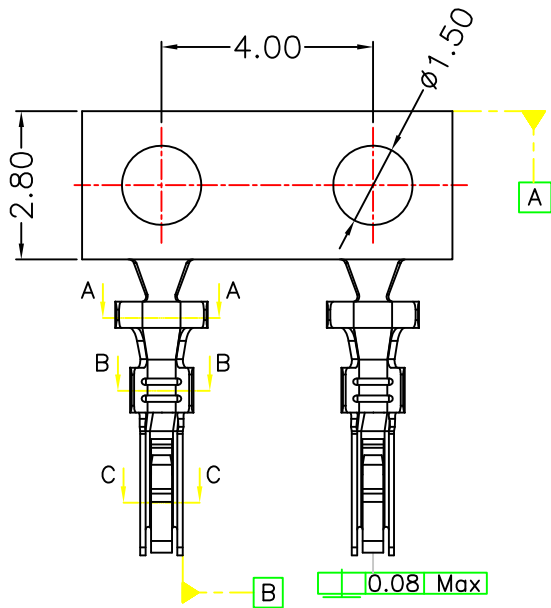


RoHS



| Part No.    | Wire Range  | Insulation O.D. | Material    | Finish     | Q'ty/Reel |
|-------------|-------------|-----------------|-------------|------------|-----------|
| A1257TOP-2  | AWG 28#-32# | 1.00mm(Max)     | Phos.Bronze | Tin-Plated | 15,000    |
| A1257TOP-00 | AWG 28#-32# | 1.00mm(Max)     | Phos.Bronze | Gold-flash | 15,000    |

Note: e-Stamping before Tin-plated or Gold-flash

| REVISION RECORD |      |             |        |         |
|-----------------|------|-------------|--------|---------|
| REV.            | DATE | DESCRIPTION | CHANGE | APPROVE |
|                 |      |             |        |         |
|                 |      |             |        |         |
|                 |      |             |        |         |

TOLERANCE  
 .0±0.25  
 0.00±0.20  
 0.000±0.10

|         |     |       |     |
|---------|-----|-------|-----|
| DRAW    | 旭德  | SCALE | 1:1 |
| DESIGN  | 旭德  | UNIT  | mm  |
| CHECK   | 魏存春 | SIZE  | A4  |
| APPROVE | 魏存春 | SHEET | 1/1 |
| VERSION | LY2 | PROJ. | ☉   |

**UNC** 耀聯電子科技有限公司  
 UNC Electronic & Technology Co., Ltd

PART NO. A1257TOP-XX  
 DESCRITON WIRE TO BOARD, PLUG,  
 PITCH 1.25mm, CRIMP TYPE  
 DRAWING NO. INSULATOR

TEL:0769-87299998 FAX:0769-87299968 E-Mail:uniconn@163.com WEB:http://www.uniconn.cn