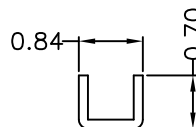
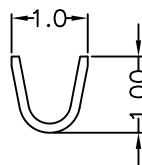
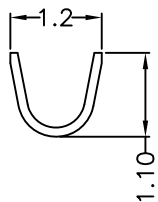
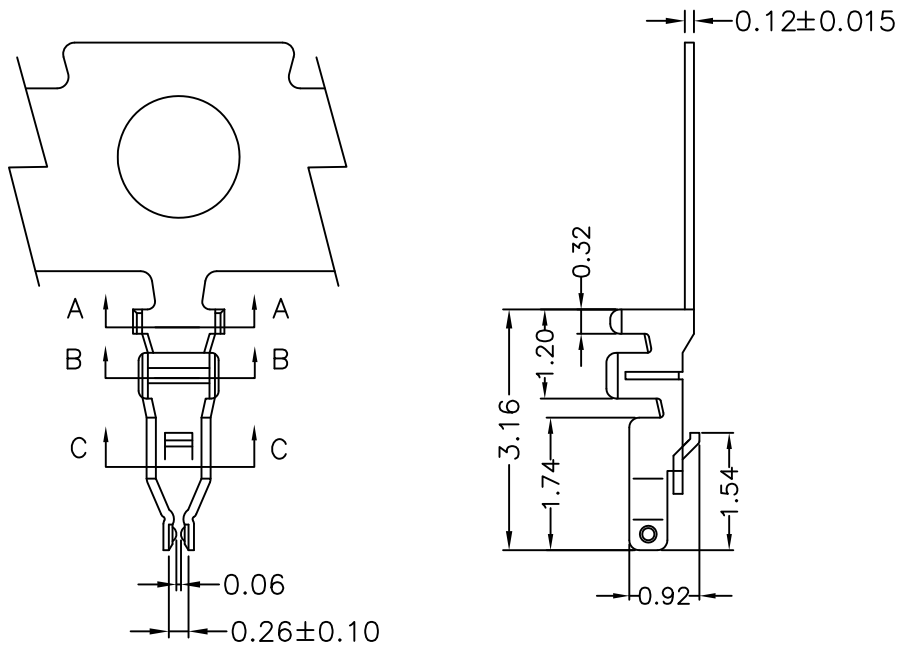


RoHS



Plating Spec (0\*)

- 00--1μ"
- 0A--3μ"
- 0B--4μ"
- 0C--5μ"
- 0D--15μ"
- 0E--30μ"
- 0F--50μ"
- 0G--10μ"
- 0H--2μ"
- 0I--20μ"
- 0J--25μ"

Part No.	Wire Range	Insulation O.D.	Material	Finish	Q'ty/Reel
A1201TOP-0x	AWG 28#~30#	0.75mm(Max)	Phos.Bronze	Gold-Flash	20,000

Note: e-Stamping before Tin-plated or Gold-flash

REVISION RECORD					TOLERANCE	DRAW	SCALE	1:1	UNIT	mm	PART NO.	A1201TOP-0x
REV.	DATE	DESCRIPTION	CHANGE	APPROVE								
					.0±0.25	DESIGN	比例				DESCRITON	MX78172 TERMINAL
					0.00±0.15	CHECK	比例				DRAWING NO.	A1201.dwg
					0.000±0.08	APPROVE	比例					
						VERSION	ZJT1					
TEL:0769-87299998						FAX:0769-87299968		E-Mail:uniconn@163.com		WEB:http://www.uniconn.cn		

**UNC** 耀聯電子科技有限公司  
UNC Electronic & Technology Co., Ltd