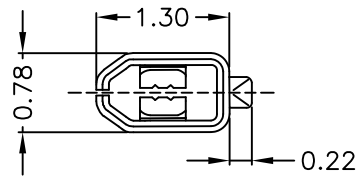
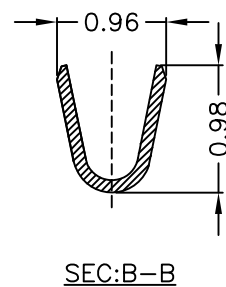
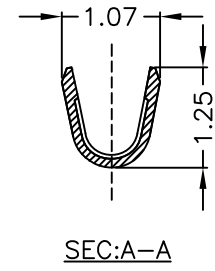
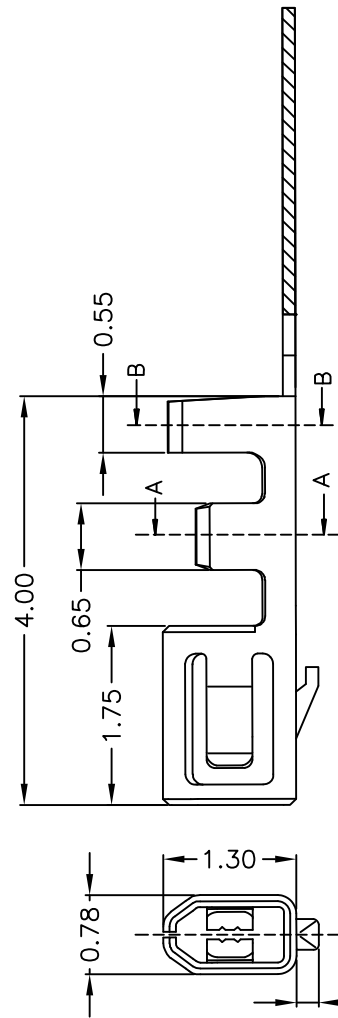
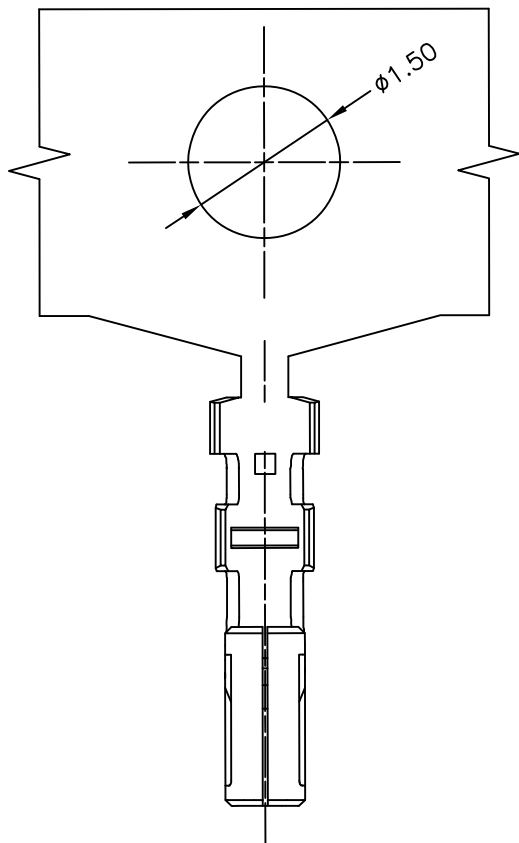


RoHS



- Plating Spec (0*)
- 00--1μ"
 - 0A--3μ"
 - 0B--4μ"
 - 0C--5μ"
 - 0D--15μ"
 - 0E--30μ"
 - 0F--50μ"
 - 0G--10μ"
 - 0H--2μ"
 - 0I--20μ"
 - 0J--25μ"

Part No.	Wire Range	Insulation O.D.	Material	Finish	Q'ty/Reel
A1009TOP-00	AWG 28#~32#	0.80mm(Max)	Phos.Bronze	Gold-Flash	20,000

Note: e-Stamping before Tin-plated or Gold-flash

REVISION RECORD				
REV.	DATE	DESCRIPTION	CHANGE	APPROVE

TOLERANCE	.0±0.25	DRAW	旭德	SCALE	1:1
	0.00±0.15	DESIGN	旭德	UNIT	mm
	0.000±0.10	CHECK	陈春	SIZE	A4
		APPROVE	陈春	SHEET	1/1
		VERSION	LY1	PROJ.	⊕

UNC 耀聯電子科技有限公司
UNC Electronic & Technology Co., Ltd

PART NO.	A1009TOP-0*
DESCRITON	1.0mm Pitch TERMINAL
DRAWING NO.	A1009.dwg