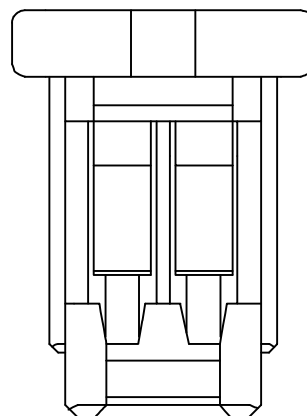
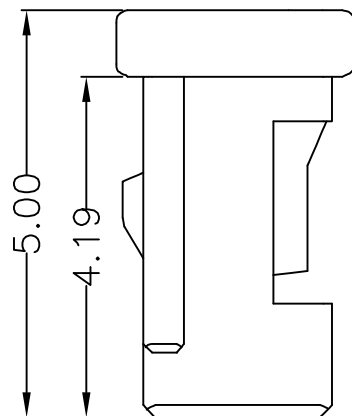
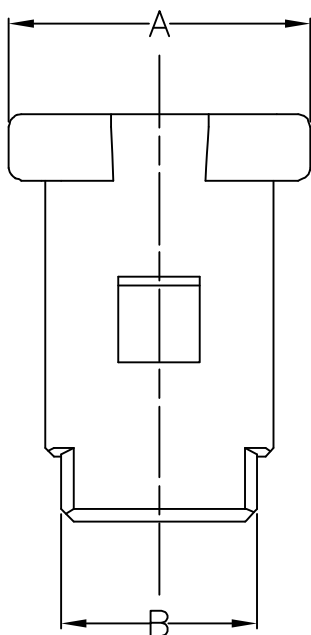
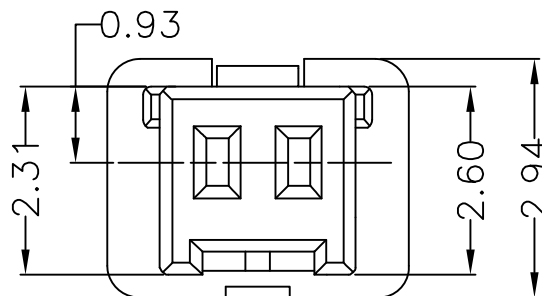
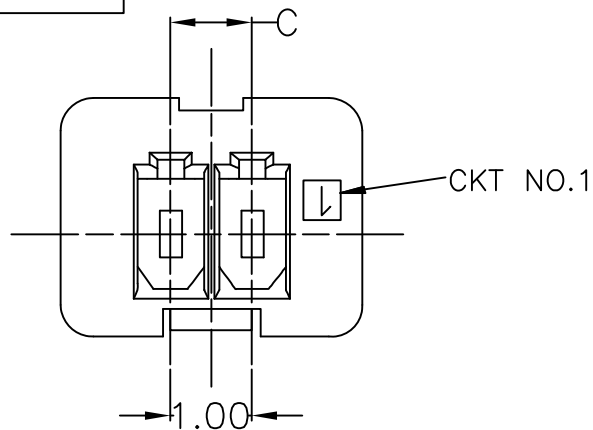


RoHS

SPECIFICATIONS

Current Rating: 1A AC,DC
 Voltage Rating: 50V AC,DC
 Temperature Range: -25°C ~ +85°C
 Contact Resistance: 20mΩ Max.
 Insulation Resistance: 100MΩ Min.
 Withstanding Voltage: 500V AC/minute
 Material: Nylon 66,UL94V-0
 Color: Natural(White)



| Circuits | Dimensions | | |
|----------|------------|------|------|
| | A | B | C |
| 2 | 3.70 | 2.40 | 1.00 |
| 3 | 4.70 | 3.40 | 2.00 |
| 4 | 5.70 | 4.40 | 3.00 |
| 5 | 6.70 | 5.40 | 4.00 |

REVISION RECORD

| REV. | DATE | DESCRIPTION | CHANGE | APPROVE |
|------|------|-------------|--------|---------|
| | | | | |
| | | | | |
| | | | | |

TOLERANCE

.0±0.25
 0.00±0.15
 0.000±0.10

DRAW

DESIGN
 CHECK
 APPROVE
 VERSION

邓伟

邓伟

邓伟

LY1

SCALE

1:1
 UNIT
 SIZE
 SHEET
 PROJ.

1:1

mm

A4

1/1



耀聯電子科技有限公司
 UNC Electronic & Technology Co., Ltd

PART NO.

A1009H00-NP

DESCRITON

1.0mm Pitch HOUSING

DRAWING NO.

A1009.dwg