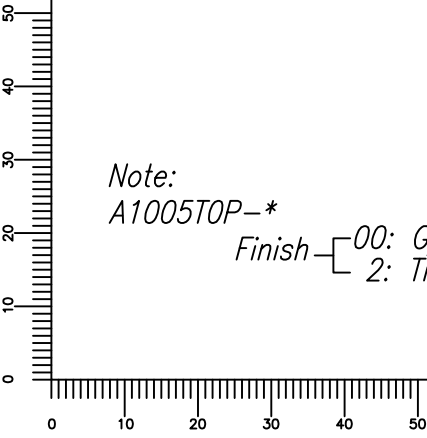
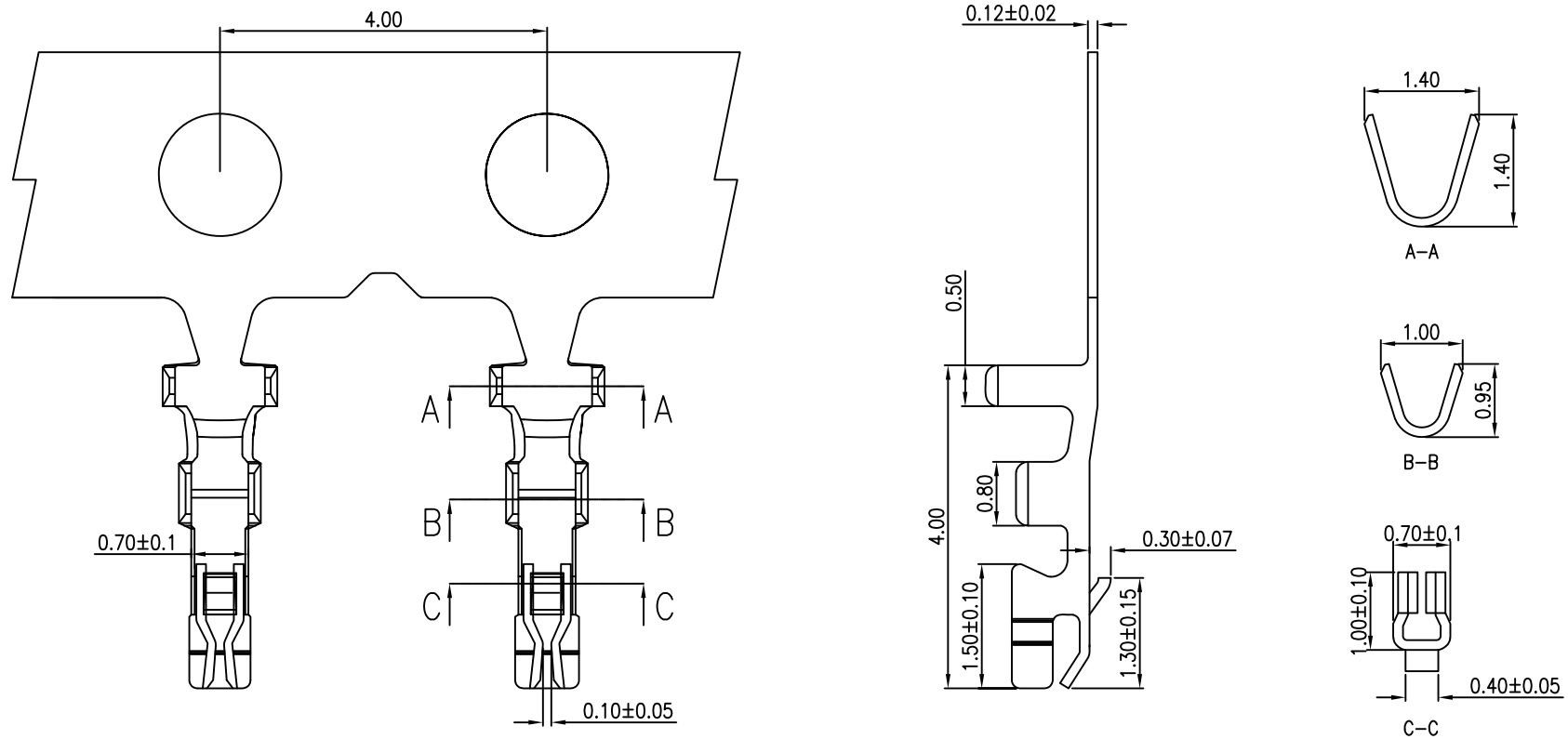




REV.	ECN NO. OR DESCRIPTION	REVISED	DATE
A1			2021-6-15



Note:

A1005TOP-\*

Finish — 00: G/Flash Over Nickel  
 2: Tin-Plated Over Nickel

A1005TOP-2		AWG 28#~32#	0.8mm(max)	Phos.Bronze	See Note	20,000	
PART NO.		WIRE	O.D.(MAX)	MATERIAL	FINISH	Q'TY/REEL	
TOLERANCE	DRAW	BO	SCALE	1:10	 耀聯電子科技有限公司 UNC Electronic & Technology Co., Ltd		
	DESIGN	MA	UNIT	mm			
	X :±0.3	CHECK	LIAN	SIZE	A4	PART NO.	A1005TOP-*
	X.X :±0.2	APPROVE	LIAN	SHEET	1of1		
X.XX :0.15	VERSION	A1/XR	PROJ.		DESCRIPTION	WIRE TO BOARD, PLUG, PITCH 1.0mm, CRIMP TYPE, INSULATOR	
X.XXX :0.10	TEL:+86-769-87299998		WEB:http://www.uniconn.cn		MAIL:uniconn@163.com		

Non-use Warranty for Level 1 Prohibited Substances In Product.