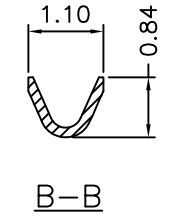
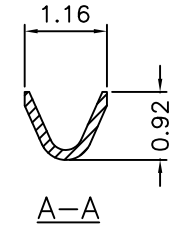
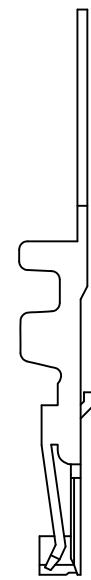
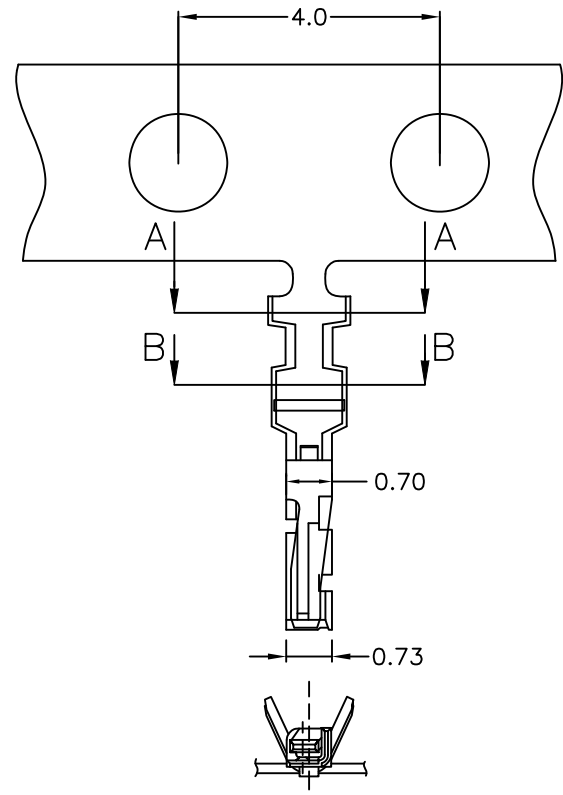
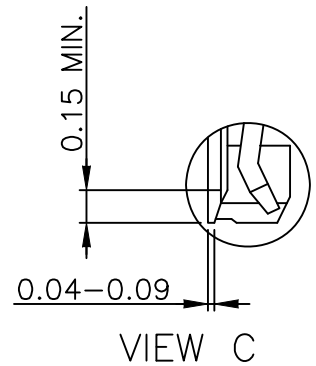
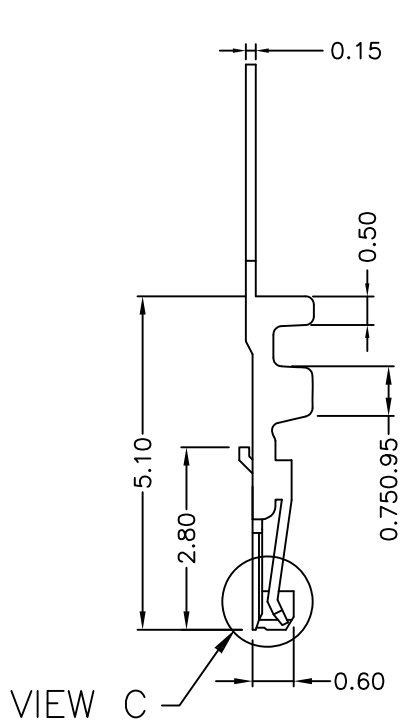


RoHS



Part No.	Wire Range	Insulation O.D.	Material	Finish	Q'ty/Reel
A1004TOP-00	AWG 28#~32#	0.75mm(Max)	Phos.Bronze	Gold-flash	20,000

Note: e-Stamping before Tin-plated or Gold-flash

REVISION RECORD				
REV.	DATE	DESCRIPTION	CHANGE	APPROVE

TOLERANCE	DRAW	旭信	SCALE	1:1
	DESIGN	旭信	UNIT	mm
	CHECK	陈春	SIZE	A4
	APPROVE	陈春	SHEET	1/1
	VERSION	MS1	PROJ.	☉

UNC 耀聯電子科技有限公司
UNC Electronic & Technology Co., Ltd

PART NO.	A1004TOP-2
DESCRITON	1.00mm PITCH CRIMP TERMINAL
DRAWING NO.	

TEL:0769-87299998 FAX:0769-87299968 E-Mail:uniconn@163.com WEB:http://www.uniconn.cn