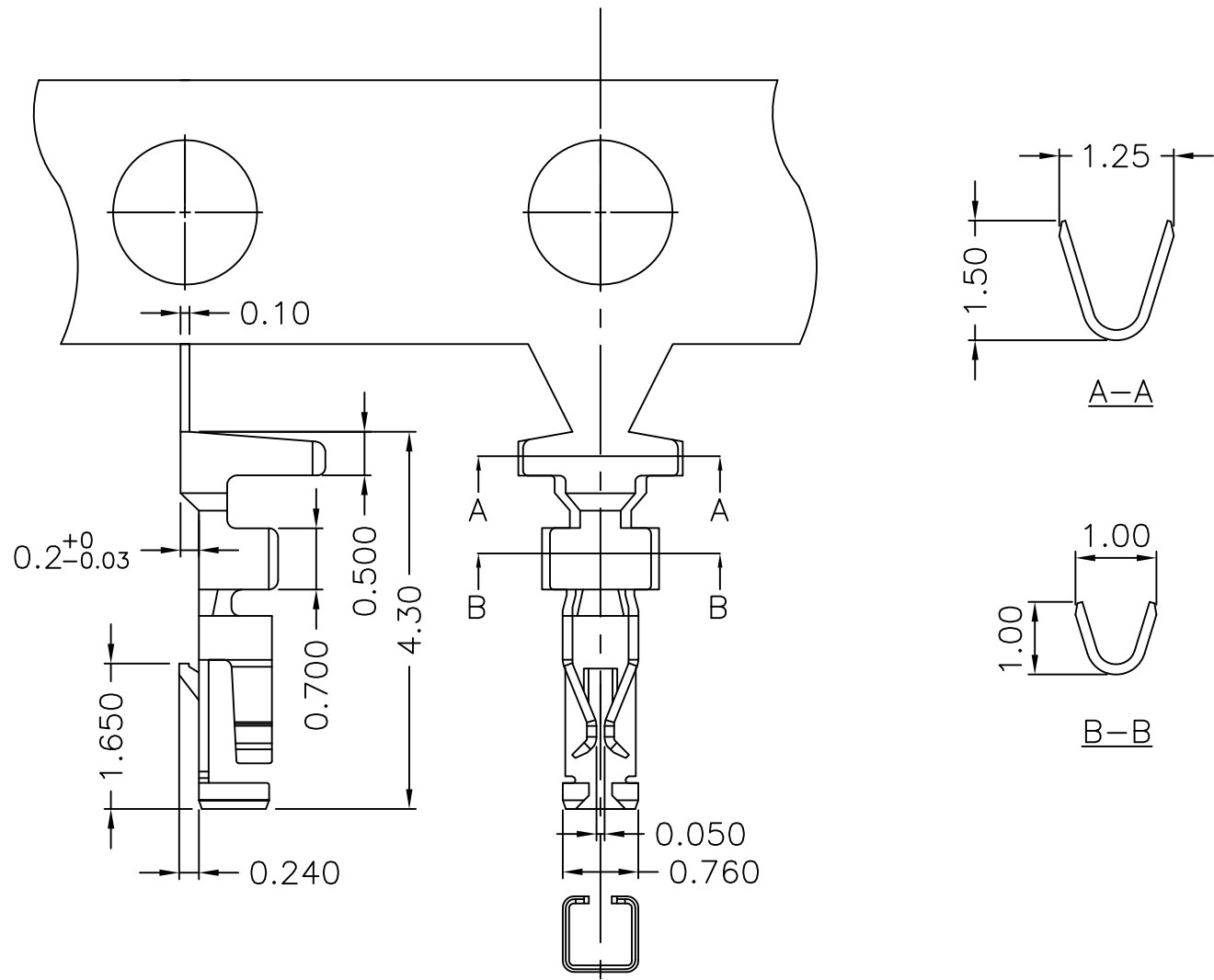


RoHS



- Plating Spec (0*)
- 00--1μ"
 - 0A--3μ"
 - 0B--4μ"
 - 0C--5μ"
 - 0D--15μ"
 - 0E--30μ"
 - 0F--50μ"
 - 0G--10μ"
 - 0H--2μ"
 - 0I--20μ"
 - 0J--25μ"

Part No.	Wire Range	Insulation O.D.	Material	Finish	Q'ty/Reel
A1003TOP-0*	AWG 28#~32#	0.80mm(Max)	Phos.Bronze	Gold-flash	15,000

Note: e-Stamping before Tin-plated or Gold-flash

REVISION RECORD					TOLERANCE	DRAW	SCALE	1:1	UNZ [®] 耀聯電子科技有限公司 UNC Electronic & Technology Co., Ltd
REV.	DATE	DESCRIPTION	CHANGE	APPROVE					
					.0±0.25	DESIGN	UNIT	mm	PART NO. A1003TOP-00 DESCRITON 1.00mm PITCH DRAWING NO. CRIMP TERMINAL
					0.00±0.15	CHECK	SIZE	A4	
					0.000±0.05	APPROVE	SHEET	1/1	
						VERSION	PROJ.	MS1	
					TEL:0769-87299998 FAX:0769-87299968		E-Mail:uniconn@163.com		WEB:http://www.uniconn.cn