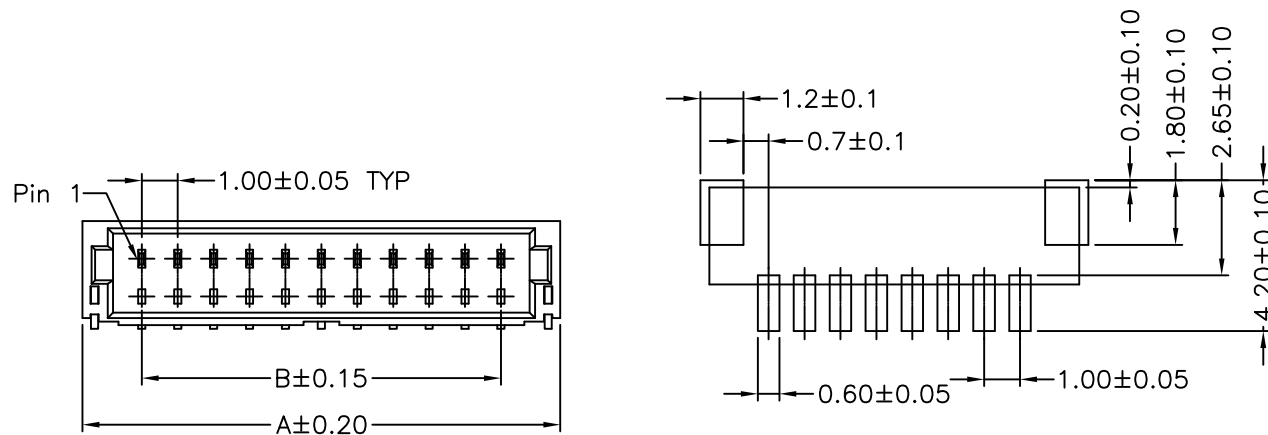


RoHS

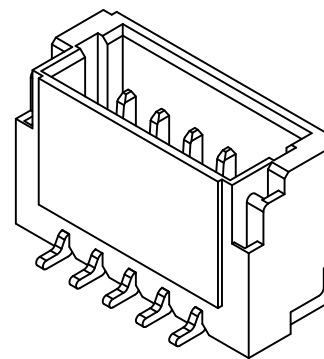
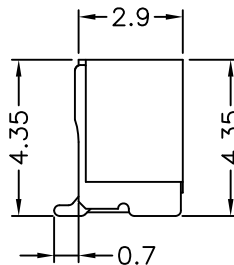
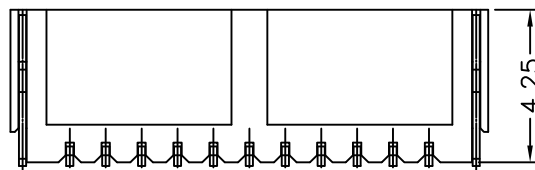
SPECIFICATIONS

Current Rating: 1A AC,DC  
 Voltage Rating: 50V AC,DC  
 Temperature Range: -25°C ~ +85°C  
 Contact Resistance: 10mΩ Max.  
 Insulation Resistance: 100MΩ Min.  
 Withstanding Voltage: 500V AC/minute  
 Material:

HSG: Nylon6T 94V-0  
 Contact: Phos.Broze, Tin-plated/Gold-Flash  
 Solder: Brass, Tin-plated/Gold-Flash



P.C.B LAYOUT



Circuits	Dimensions	
	A	B
2	4.30	1.00
3	5.30	2.00
4	6.30	3.00
5	7.30	4.00
6	8.30	5.00
7	9.30	6.00
8	10.30	7.00
9	11.30	8.00
10	12.30	9.00
11	13.30	10.00
12	14.30	11.00
13	15.30	12.00
14	16.30	13.00
15	17.30	14.00
16	18.30	15.00
17	19.30	16.00
18	20.30	17.00
19	21.30	18.00
20	22.30	19.00

REVISION RECORD

REV.	DATE	DESCRIPTION	CHANGE	APPROVE

TOLERANCE

.0±0.25  
 0.00±0.15  
 0.000±0.05

DRAW

DESIGN  
 CHECK  
 APPROVE  
 VERSION

邓伟

邓伟

邓伟

ZJT1

SCALE

1:1  
 UNIT  
 SIZE  
 SHEET  
 PROJ.

1:1

mm

A4

1/1



耀聯電子科技有限公司  
 UNC Electronic & Technology Co., Ltd

PART NO.

A1002WV0-S-NP

DESCRITON

SH1.0 Single-row 180°WFR

DRAWING NO.

A1002.dwg