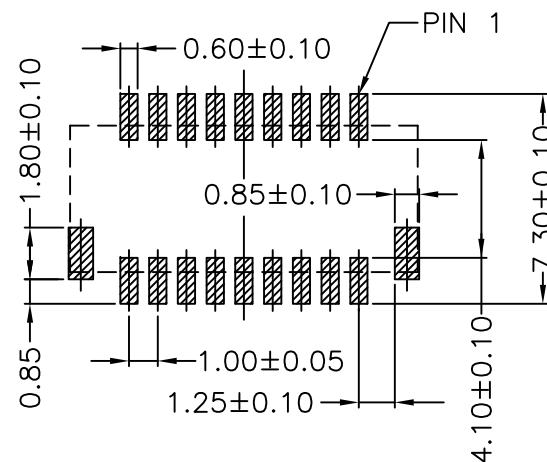
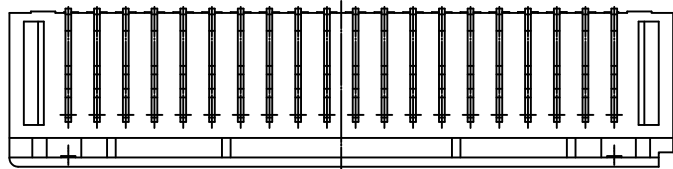
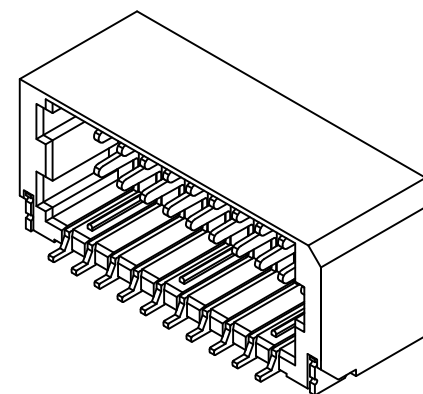
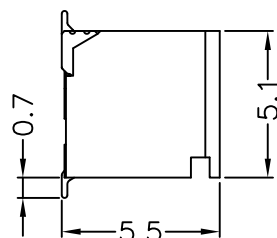
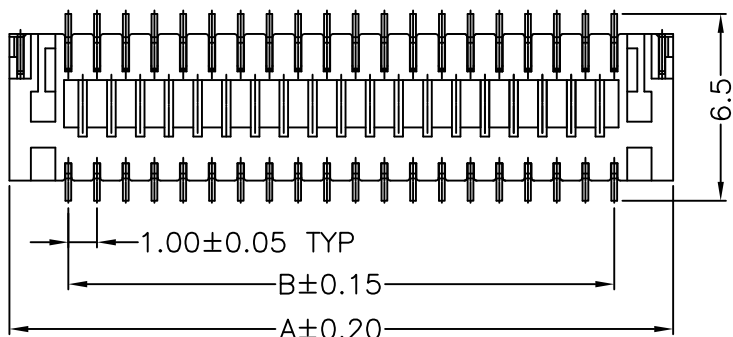
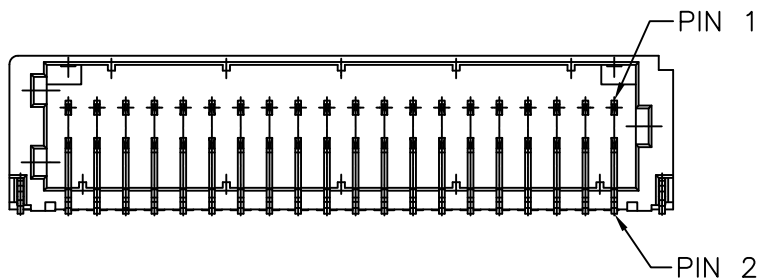


RoHS

SPECIFICATIONS

Current Rating: 1A AC,DC
 Voltage Rating: 50V AC,DC
 Temperature Range: -25°C ~ +85°C
 Contact Resistance: 10mΩ Max.
 Insulation Resistance: 100MΩ Min.
 Withstanding Voltage: 500V AC/minute
 Material:

HSG: Nylon6T 94V-0
 Contact: Phos.Broze, Tin-plated/Gold-Flash
 Solder: Brass, Tin-plated/Gold-Flash



Circuits	Dimensions	
	A	B
2X9	12.10	8.00
2X10	13.10	9.00
2X15	18.10	14.00
2X20	23.10	19.00
2X30	28.10	24.00

REVISION RECORD

REV.	DATE	DESCRIPTION	CHANGE	APPROVE

TOLERANCE

.0±0.25
0.00±0.15
0.000±0.05

DRAW

DESIGN	
CHECK	
APPROVE	
VERSION	ZJT1

SCALE

1:1	
UNIT	mm
SIZE	A4
SHEET	1/1
PROJ.	

SCALE

1:1	
UNIT	mm
SIZE	A4
SHEET	1/1
PROJ.	

UNC 耀聯電子科技有限公司
 UNC Electronic & Technology Co., Ltd

PART NO.	A1002WR0-S-2XNP
DESCRITON	SH1.0 Dual-row 90°WFR
DRAWING NO.	A1002.dwg

TEL:0769-87299998 FAX:0769-87299968 E-Mail:uniconn@163.com WEB:http://www.uniconn.cn