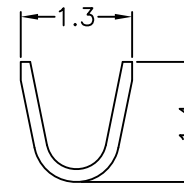
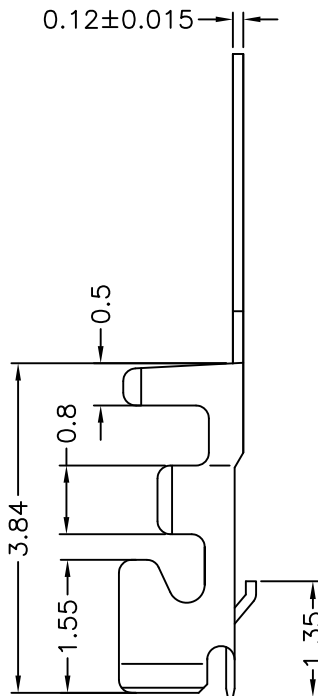
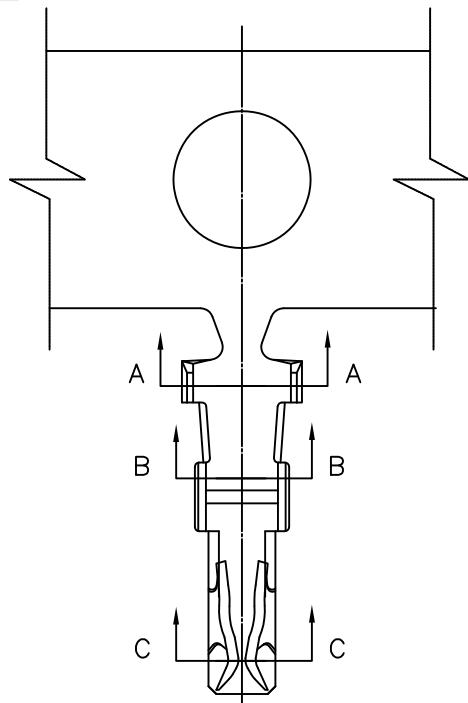
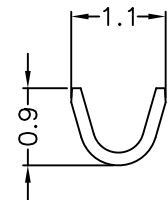


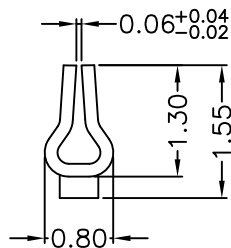
RoHS



SEC:A-A



SEC:B-B



SEC:C-C

Part No.	Wire Range	Insulation O.D.	Material	Finish	Q'ty/Reel
A1002TOP-2	AWG 28#~32#	0.80mm(Max)	Phos.Bronze	Tin-Plated	20,000
A1002TOP-00	AWG 28#~32#	0.80mm(Max)	Phos.Bronze	Gold-Flash	20,000

Note: e-Stamping before Tin-plated or Gold-flash

REVISION RECORD

REV.	DATE	DESCRIPTION	CHANGE	APPROVE

TOLERANCE

.0±0.25
0.00±0.15
0.000±0.05

DRAW

旭德

SCALE

1:1

DESIGN

旭德

UNIT

mm

CHECK

魏海春

SIZE

A4

APPROVE

魏海春

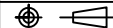
SHEET

1/1

VERSION

ZJT1

PROJ.



耀聯電子科技有限公司
UNC Electronic & Technology Co., Ltd

PART NO.

A1002TOP-xx

DESCRITON

SH1.0 TERMINAL

DRAWING NO.

A1002.dwg

TEL:0769-87299998 FAX:0769-87299968 E-Mail:uniconn@163.com WEB:http://www.uniconn.cn