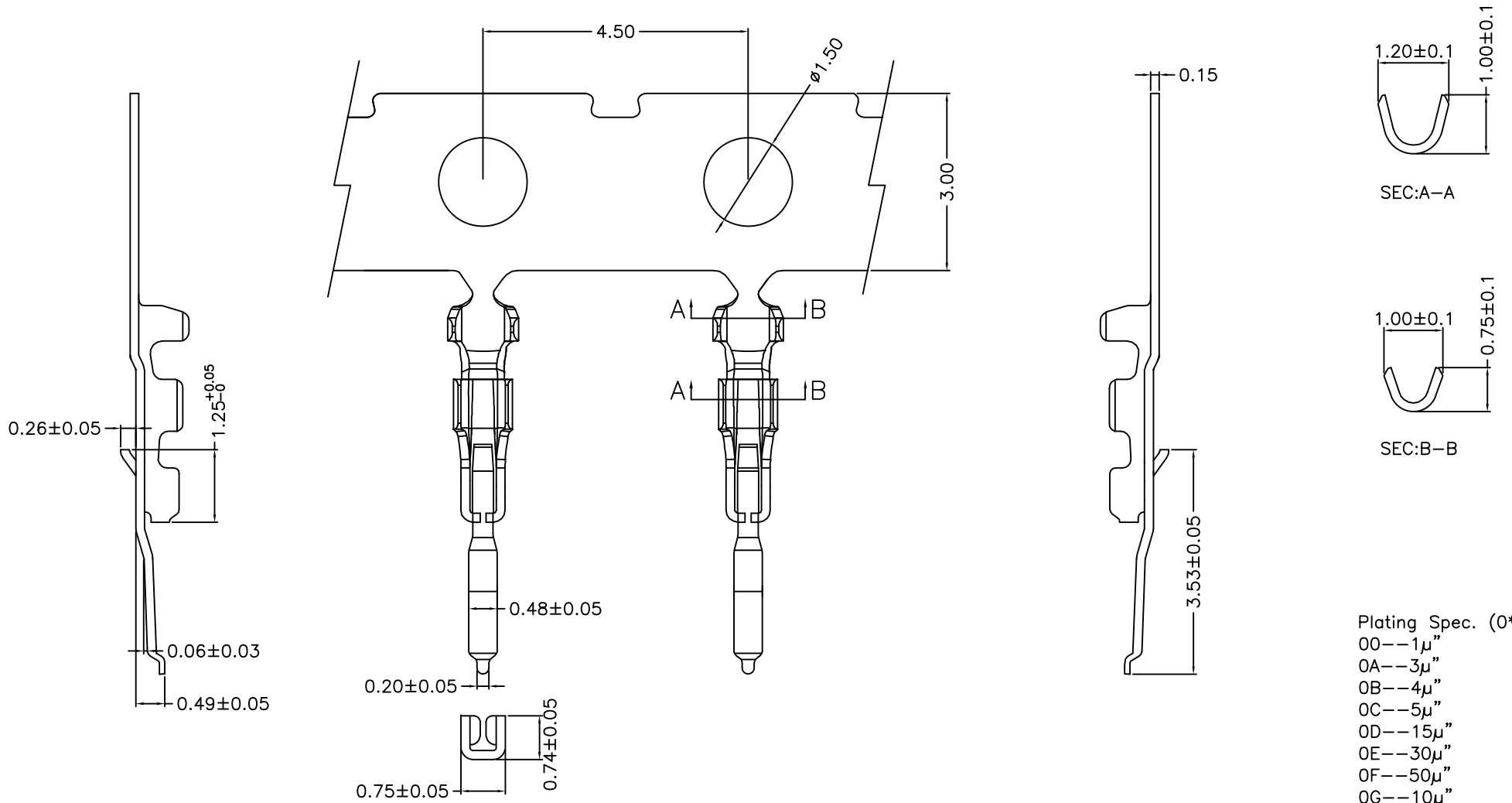


RoHS



- Plating Spec. (0*)
- 00--1μ"
 - 0A--3μ"
 - 0B--4μ"
 - 0C--5μ"
 - 0D--15μ"
 - 0E--30μ"
 - 0F--50μ"
 - 0G--10μ"
 - 0H--2μ"
 - 0I--20μ"
 - 0J--25μ"

Part No.	Wire Range	Insulation O.D.	Material	Finish	Q'ty/Reel
A1001TOP-0*	AWG #28~#36	0.50mm(Max)	Phos.Bronze	Gold-Flash	20,000

Note: e-Stamping before Tin-plated or Gold-flash

REVISION RECORD					TOLERANCE	DRAW	SCALE	1:1	UNZ 耀聯電子科技有限公司 UNC Electronic & Technology Co., Ltd
REV.	DATE	DESCRIPTION	CHANGE	APPROVE					
					.0±0.25	DESIGN	UNIT	mm	PART NO. A1001TOP-0* DESCRITON FI-X1.0 TERMINAL DRAWING NO. A1001.dwg
					0.00±0.15	CHECK	SIZE	A4	
					0.000±0.08	APPROVE	SHEET	1/1	
						VERSION	PROJ.	⊗	