

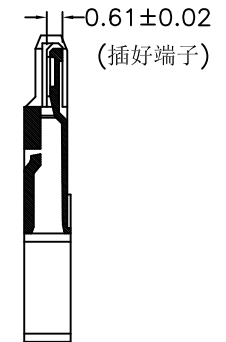
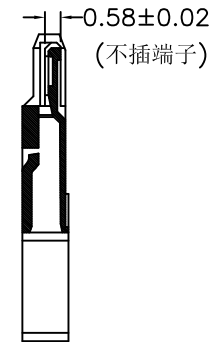
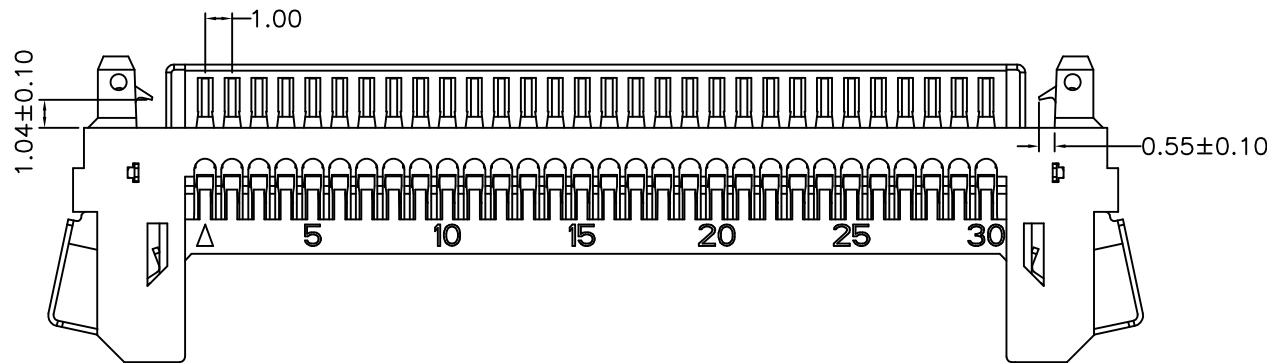
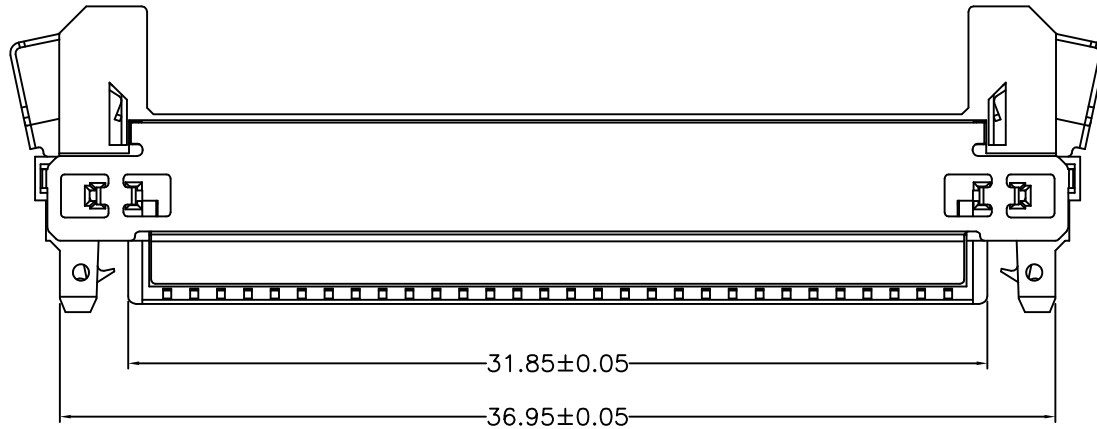
RoHS

SPECIFICATIONS

Current Rating: 1A AC,DC
 Voltage Rating: 200V AC,DC
 Temperature Range: -40°C ~ +85°C
 Contact Resistance: 40mΩ Max.
 Insulation Resistance: 100MΩ Min.
 Withstanding Voltage: 500V AC/minute

Material:
 Housing: Nylon,UL94V-0
 Shell: Stainless Steel
 Lock: Stainless Steel

Q'ty: 50/Tray



REVISION RECORD

REV.	DATE	DESCRIPTION	CHANGE	APPROVE
△	2018-12-26	Optimized Dimensioning	允德	吳奇春
△	2019-03-15	Optimized Dimensioning	允德	吳奇春

TOLERANCE

.0±0.25
0.00±0.15
0.000±0.10

DRAW

DESIGN	允德
CHECK	吳奇春
APPROVE	吳奇春
VERSION	QY3

SCALE

1:1	
UNIT	mm
SIZE	A4
SHEET	1/1
PROJ.	⊕

UNC 耀聯電子科技有限公司
 UNC Electronic & Technology Co., Ltd

PART NO.	A1001HS0-30P-HL
DESCRITON	FI-X1.0 30P HSG With-Lock
DRAWING NO.	A1001.dwg

TEL:0769-87299998 FAX:0769-87299968 E-Mail:uniconn@163.com WEB:http://www.uniconn.cn