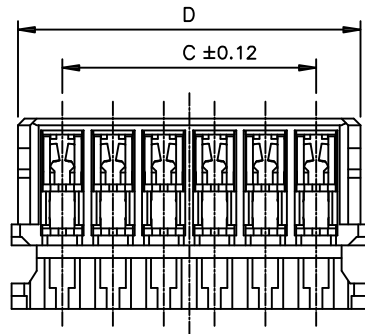
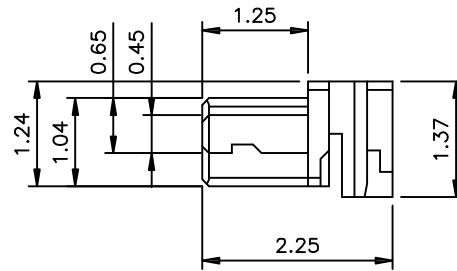
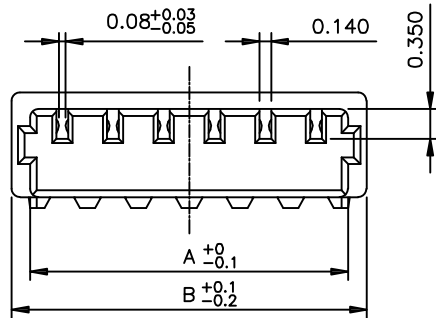


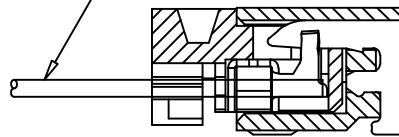
RoHS

SPECIFICATIONS

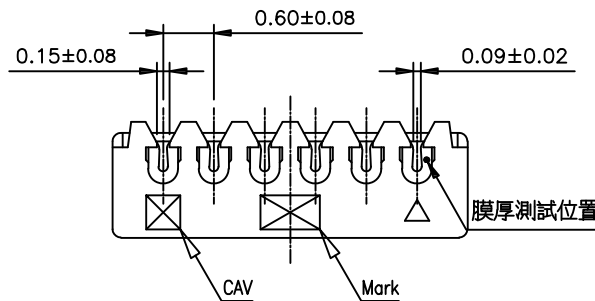
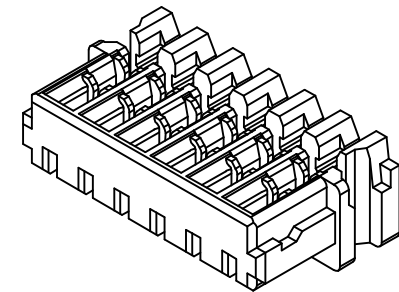
Current Rating: 0.2A AC,DC  
 Voltage Rating: 30V AC,DC  
 Temperature Range: -25°C ~ +85°C  
 Contact Resistance: 30mΩ Max.  
 Insulation Resistance: 100MΩ Min.  
 Withstanding Voltage: 200V AC/minute  
 Material: LCP,UL94V-0  
 Color: Nature



APPLICABLE WIRE : AWG#34,AWG#36



MATED CONDITION



Circuits	Dimensions			
	A	B	C	D
2	1.36	1.80	0.60	1.65
4	2.56	3.00	1.80	2.85
5	3.16	3.60	2.40	3.45
6	3.76	4.20	3.00	4.05
8	4.96	5.40	4.20	5.25
10	6.16	6.60	5.40	6.45
12	7.36	7.80	6.60	7.65
16	9.76	10.20	9.00	10.05

REVISION RECORD

REV.	DATE	DESCRIPTION	CHANGE	APPROVE

TOLERANCE

.0±0.25  
 0.00±0.15  
 0.000±0.08

DRAW

DESIGN  
 CHECK  
 APPROVE  
 VERSION

旭德

旭德

吳奇春

吳奇春

YZ1

SCALE

1:1  
 UNIT  
 SIZE  
 SHEET  
 PROJ.

mm

A4

1/1

PROJ.



耀聯電子科技有限公司  
 UNC Electronic & Technology Co., Ltd

PART NO.

A0601HS0-NP

DESCRITON

0.60mm PITCH

DRAWING NO.

I.D.C. HOUSING

TEL:0769-87299998 FAX:0769-87299968 E-Mail:uniconn@163.com WEB:http://www.uniconn.cn